

WE CARE FOR YOUR NEEDS.

ROUND SOUND ATTENUATORS

RS-Series

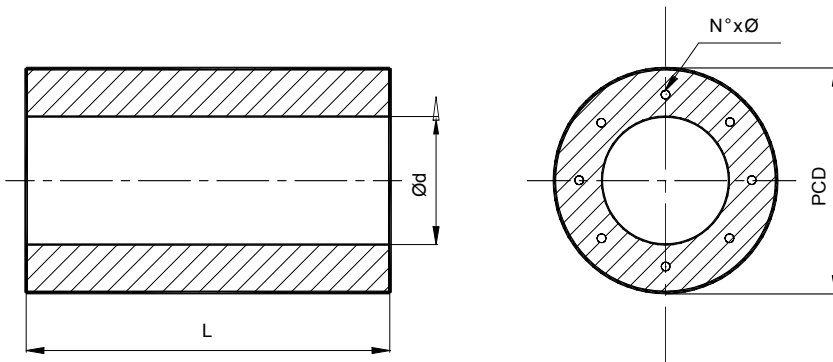


ENERGY TWIN CITY
A TWIN CITY FAN COMPANY

Key Features

- Used to control the passage of noise along an air path.
- Made of galvanized sheet and a 2" thick outside lining with high density acoustic infill protected by perforated galvanized steel.
- Supplied with flanged ends for direct attachment to axial fans or ductwork.
- Bell mouth inlet is provided for minimal pressure loss.
- Standard range Type RS is available from sizes 315 to 1600 mm.
- Each range is available (1D, 2D) as standard length.
 - * 1D – 1 times inside duct \varnothing
 - * 2D – 2 times inside duct \varnothing .

Dimensional Details



Model	Ød	PCD	L (1D)	L (2D)
315	315	415	315	630
355	355	455	355	710
400	400	500	400	800
450	450	550	450	900
500	500	600	500	1000
560	560	660	560	1120
630	630	730	630	1260
710	710	810	710	1420
800	800	900	800	1600
900	900	1000	900	1800
1000	1000	1100	1000	2000
1120	1120	1220	1120	2240
1250	1250	1350	1250	2500
1400	1400	1500	1400	2800
1600	1600	1700	1600	3200

Performance Data - Insertion Loss

PERFORMANCE DATA (RS - Series)									
Model	Type	INSERTION LOSS (dB) -Hz							
		63	125	250	500	1K	2K	4K	8K
315 355 400 450 500 560	RS-1D	2	4	6	10	14	10	7	8
	RS-2D	4	7	11	17	21	17	13	12
630 710 800 900	RS-1D	3	4	8	14	14	9	8	7
	RS-2D	6	8	13	22	22	14	13	9
1000 1120 1250 1400	RS-1D	3	4	9	14	12	8	7	7
	RS-2D	6	8	13	22	22	14	13	9
1600	RS-1D	4	5	10	14	11	7	6	6
	RS-2D	8	9	14	20	17	11	10	9

**THE RECOGNIZED LEADER IN
MANUFACTURING AND DISTRIBUTION
OF HVAC AND INDUSTRIAL
PRODUCTS IN THE MIDDLE EAST.**



MIDDLE EAST

PO Box 24021, Sharjah Industrial Area
United Arab Emirates
Phone: 971.6534.3488 | Fax: 971.6534.3710
energyintl.com

UNITED STATES

5959 Trenton Lane, Minneapolis, MN 55442
Phone: 763.551.7600 | Fax: 763.551.7601
careers.tcf.com