

ETA



The ETA air curtain has been tested in accordance with ANSI/AMCA 220 and meets the criteria to be used as an exception to costly, space-consuming vestibules. The ETA is used to stop cold or warm air from entering a climate-controlled environment and is designed for all retail, grocery, agricultural grow farms, and office entryways; as well as other applications that typically would require a vestibule. This commercial line's galvanized steel construction, galvanized steel intake screen, and 45-degree beveled edges give it a modern, pleasing look.

AT A GLANCE

Single Incremental Widths

3' to 14'

Max Installation Height

14'

Heavy Duty Motors

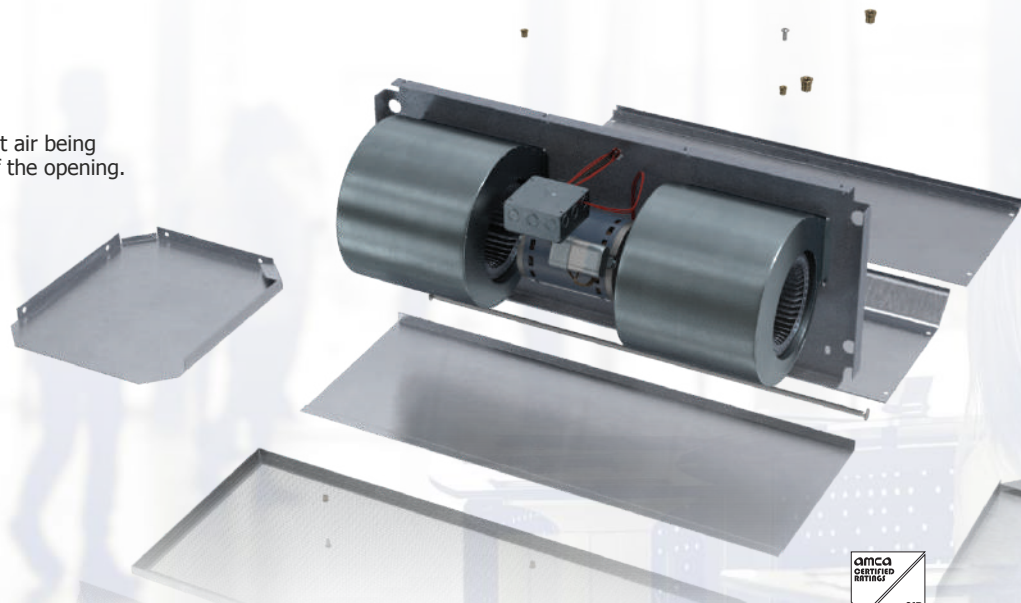
3/4 HP

KEY DESIGN FEATURES

- Galvanized steel case
- Heavy duty 3/4 HP motors. 1630 rpm each.
- High efficiency discharge plenum ensures that air being discharged fills the entire width and height of the opening. This also lowers the operational sound level.
- Can be used as an exception to vestibules

RECOMMENDED CONTROLS

- ON / OFF switch
- Magnetic door switch for activation
- Time delay relay



▶ ETA | PERFORMANCE

ETA | Performance Table

MODEL	Nozzle Width (in.)	Max FPM at Nozzle	Average Outlet Velocity (FPM)	Airflow Rate (CFM)	Outlet Velocity Uniformity	Power Rating (kW)	Number of Motors	Motor HP	Weight (lbs)
ETA-1-36	36	5654	2060	1401	88%	0.76	1	3/4	90
ETA-1-42	42	5321	2022	1678	88%	0.84	1	3/4	97
ETA-1-48	48	5296	1849	1757	84%	0.86	1	3/4	104
ETA-1-60	60	5288	1619	2007	72%	0.94	1	3/4	117
ETA-2-72	72	5654	2060	2802	88%	1.52	2	3/4	169
ETA-2-84	84	5321	2022	3356	88%	1.68	2	3/4	187
ETA-2-96	96	5296	1849	3514	84%	1.72	2	3/4	203
ETA-3-108	108	5654	2060	4203	88%	2.28	3	3/4	245
ETA-3-120	118	5340	2033	4757	88%	2.44	3	3/4	274
ETA-3-132	133	5305	1860	4809	72%	2.46	3	3/4	290
ETA-4-144	145	5654	2060	5604	88%	3.04	4	3/4	338
ETA-4-156	157	5648	2040	6158	88%	3.20	4	3/4	356
ETA-4-168	169	5321	2022	6712	88%	3.36	4	3/4	374



For a unit over 14 feet long, consult factory.

***Performance data shown above is for 60 Hz power supply. For 50Hz, 17% reduction in performance data.

ETA | Velocity Projection Model

DISTANCE FROM NOZZLE	40"	80"	120"	160"	200"
ETA-1-36 Core Velocity (fpm)	1756	1175	944	797	639
ETA-1-42 Core Velocity (fpm)	1630	1003	890	708	610
ETA-1-48 Core Velocity (fpm)	1550	1046	808	677	523
ETA-1-60 Core Velocity (fpm)	1342	898	685	593	517

ETA | Sound Levels

Measured 10 ft. from unit in a free field based on a 1 motor unit 63 dBA

ETA | Single Phase Motor Options

Voltages available	120	208/230	480	575	For dual speed motors, consult factory. For three phase motors, consult factory
Amp draw per motor	8.0	3.6	2.0	1.5	

The AMCA Certified Ratings Seal applies to airflow rate, average outlet velocity, outlet velocity uniformity, velocity projection and power rating at free delivery only.

Powered Aire Inc. certifies that the Model ETA Air Curtain shown herein is licensed to bear the AMCA Seal for Air Performance. The ratings shown are based on tests and procedures performed in accordance with AMCA Publication 211 and comply with the requirements of the AMCA Certified Ratings Program.

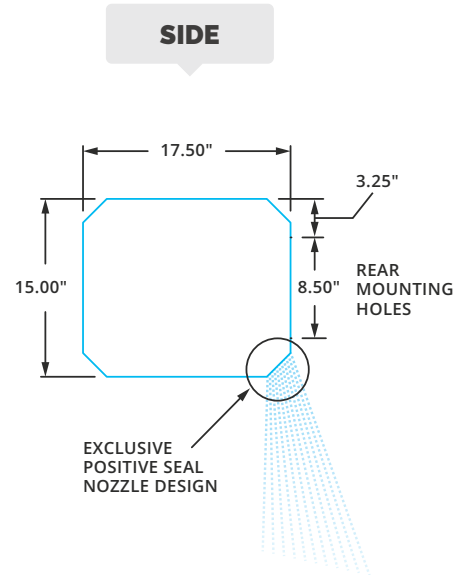
May 2020
PAAC-202



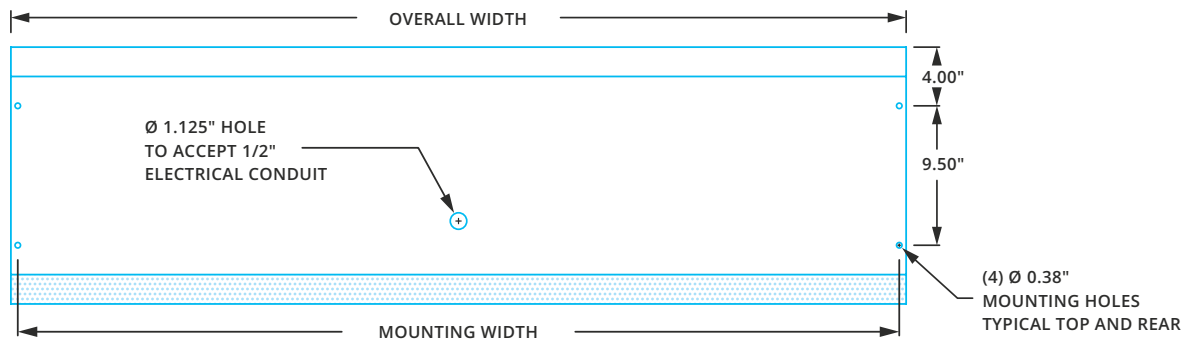
▶ ETA & ETA-E | MECHANICAL DETAILS & DRAWINGS

ETA & ETA-E | Mechanical Information Table

MODEL	Overall Width (in.)	Nozzle Width (in.)	Mounting Width (in.)
ETA-1-36 (E)	37	36	36.06
ETA-1-42 (E)	43	42	42.06
ETA-1-48 (E)	49	48	48.06
ETA-1-60 (E)	61	60	60.06
ETA-2-72 (E)	73	72	72.06
ETA-2-84 (E)	85	84	84.06
ETA-2-96 (E)	97	96	96.06
ETA-3-108 (E)	109	108	108.06
ETA-3-120 (E)	119	118	118.06
ETA-3-132 (E)	134	133	133.06
ETA-4-144 (E)	146	145	145.06
ETA-4-156 (E)	158	157	157.06
ETA-4-168 (E)	170	169	169.06



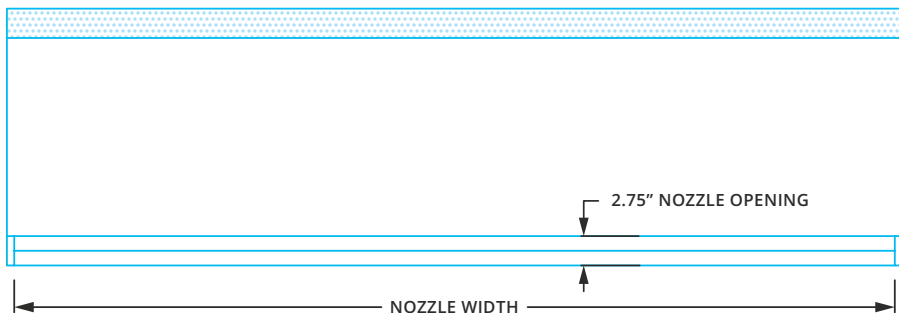
TOP



FRONT



BOTTOM



▶ ETA & ETA-E | INSTALLATION

NOTE: The air curtain should be mounted as close to the door header/opening as possible for maximum performance. For every one inch the bottom of the air curtain is mounted above the door header, the back side of the air curtain should be moved away from the wall 1/2 inch.

A WALL MOUNT

Back side of air curtain has 4 mounting holes capable of accepting four 3/8 mounting bolts or lags, with washers (use these holes only for mounting). Mark and pre-drill mounting surface accurately. A long extension and ratchet will negate the need to remove the motor-blower plate when installing.

Mounting bolts or lags of sufficient size and strength should be installed and tightened through the four 7/8 inch holes in motor/blower plate.

If motor/blower plate has to be removed, the junction box inside the unit must be removed along with any electrical switches that may be in the way.

The electrical switches have a lever that slides in one direction to release the switch contacts from the switch body. All wires will then stay intact for easy installation when replacing the blower plate.

Remove 7/16 whizlock nuts holding plate in place, and slide plate out, rotating top portion of plate so it comes out first. Remember when installing plate to put bottom of plate in first and rotate top in last.

B WALL MOUNT EXTENSION PLATES

Extension plates bolt onto the back of the unit, utilizing the 4 original mounting holes. Brackets have elongated mounting slots that extend the mounting width by 2-1/2 to 3-1/2 inches.

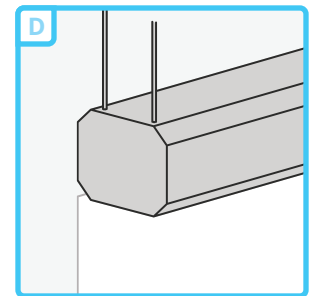
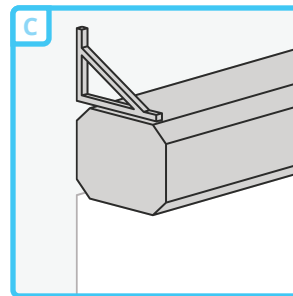
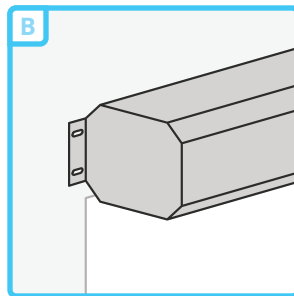
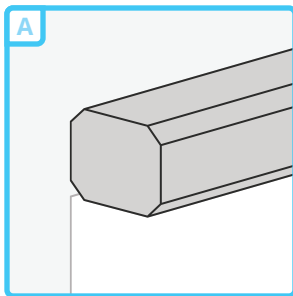
C BRACKETS

Mounting brackets (also called knee, angle or L-brackets) can be flush to the wall or constructed to account for a projection from the wall. For proper size brackets measure standoff distance from wall to back of where air curtain will be.

D TOP MOUNT

Unit has four 3/8-16 threaded inserts for installing one end of threaded rods. The other ends of the threaded rods can be attached to the ceiling. Threaded rod should not extend more than 3/4 inch into air curtain.

* Powered Aire does not provide threaded rods



MB123 QUICK MOUNTING PLATE

Optional Installation (See page 224 for more detail)

Step 1

Attach top mounting bracket to back of air curtain using the upper mounting holes on back of unit.

Step 2

Attach the mounting bracket to the wall. Make sure there is sufficient room between mounting plate and ceiling to mount air curtain.

Step 3

Place air curtain over mounting bracket. The top and bottom brackets will lock into place supporting the weight of the air curtain. Attach the bottom bracket to the air curtain using the lower mounting holes.



When mounted, bottom of air curtain is to be flush with bottom of the door header.

