

We Care for Your Needs

SQUARE INLINE FANS

SQ Series



ENERGY TWIN CITY
A TWIN CITY FAN COMPANY

TABLE OF CONTENTS

GENERAL INFORMATION	03
CONSTRUCTION FEATURES	04
OPTIONS & ACCESSORIES	05-06
DIRECT DRIVE FAN DATA	07-09
BELT DRIVE FAN DATA	10-33
FILTER BOX DIMENSIONAL DATA	34
TYPICAL SPECIFICATION	35

SQUARE INLINE FANS

SQxxD / SQxxB

OVERVIEW

Energy Twin City Fan's Model SQ direct drive and belt driven square inline fans are specifically designed for duct applications handling relatively clean air, including supply, exhaust and return air systems. These fans offer high efficiency and quiet operation in a compact design that can be mounted in any position (horizontal, vertical or angular). Square inline centrifugal units feature high efficient, nonoverloading, backward inclined centrifugal impellers precisely matched to a spun venture.

All impellers are statically and dynamically balanced. Units are manufactured under strict quality assurance standards to insure cataloged performance and years of maintenance free operation.

TYPICAL APPLICATIONS INCLUDE

General HVAC, indoor and outdoor application (exhaust, filtration, return and supply air of commercial buildings), Air Pollution Control, Airport Exhaust, Automotive, Fertilizer, Food & Beverage, Laboratory Exhaust, Metal & Mineral Processing, Office Exhaust, Restroom Exhaust, Warehouse Exhaust and Water Treatment

CONFIGURATIONS

Direct Drive and Belt Driven Configurations

➤ SQxxD (Direct Drive)

Available in 4 sizes, 9.0" to 13.0" impellers diameters

➤ SQxxB (Belt Driven)

Available in 10 sizes, 10.0" to 42.0" impellers diameters

OPTIONAL CONSTRUCTION

Spark Resistant Construction (Type B and C, ATEX), Easy Access Construction

IMPELLER TYPES

Backward Inclined/Curved Centrifugal, Spark Resistant Aluminum Impellers

EASY MAINTENANCE ACCESS

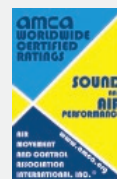
The units can be easily serviced through the side access panels without removing duct connections.

MOTOR SELECTION

Both direct drive and belt driven models are available with a wide range of voltages and enclosures. Standard belt drive TEFC selected using a conservative portion of the IEC/NEMA service factor. Standard direct drive TEFC or TEAO motors have Class B/F insulation and internal thermal overload protection. Each size is carefully engineered to match the motor to the impeller capacity.

CERTIFICATIONS

AMCA Sound & Air Performance, ATEX, CE (IEC60335) EMC & RoHS



Energy Industrial Company L.L.C. certifies that the models SQ10B, SQ12B, SQ13B, SQ15B, SQ16B, SQ20B, SQ22B and SQ27B shown herein are licensed to bear the AMCA Seal. The ratings shown are based on tests and procedures performed in accordance with AMCA Publication 211 and AMCA Publication 311 and comply with the requirements of the AMCA Certified Ratings Program.

Model SQxxD, SQ34B and SQ42B are not licensed by AMCA International.



ATEX

Expertise and Risk Assessment Directive 2014/34/EC Equipment and protective systems intended for use in potentially explosive atmospheres.

Low Voltage Directive

IEC 60335-2-80:2015 in conjunction with IEC 60335-1:2010, COR1:2010, COR2:2011, AMD1:2013, AMD2:2016.



EMC Directive

EN 55014-1: 2017+A11: 2020; EN IEC 61000-3-2: 2019; EN 61000-3-3: 2013+A1:2019; EN 55014-2: 2015(IEC 61000-4-2; IEC 61000-4-4; IEC 61000-4-5; IEC 61000-4-6; IEC 61000-4-11).



RoHS Directive

Restriction of Hazardous substances in Electrical and Electronic Equipments.

CONSTRUCTION FEATURES

SQ- INLINE FAN SERIES

HOUSINGS

Housing assembly features heavy-gauge galvanized steel construction. Removable side panels provide easy access for service and maintenance without the need to remove duct connections. Complete removal of the power assembly is also possible through side access panels. Side panels can provide a 90-degree side discharge.

BELT TUBE

Constructed of heavy gauge galvanized steel, the belt tube and bearing cover enclose the belts, fan sheave and bearings within the airstream.

DRIVE FRAME

Motor and drive frame are constructed of heavy gauge galvanized steel. The pivoting motor base makes for simple belt tensioning.

IMPELLER

Backward inclined non-overloading, aluminum impeller and hub statically and dynamically balanced to assure long life and quiet operation.

MOUNTING BRACKETS

Galvanized steel mounting brackets for easy mounting in horizontal or vertical position.

INLET CONE

Deep spun cone, aerodynamically designed for smooth air entry into the wheel.

DUCT COLLARS

Duct collars provide ready attachment to ductwork and eliminate the need for square to round duct transitions.

DRIVE

Adjustable or fixed pitch, 1.5 service factor V-belt drives with cast iron sheaves, and V-belts designed to be oil and heat resistant, and to dissipate static electricity.

BEARINGS

Heavy duty grease lubricated pillow block bearings selected for minimum average life (AFBMA L-50) of at least 200,000 hours at maximum class speed.

SHAFT

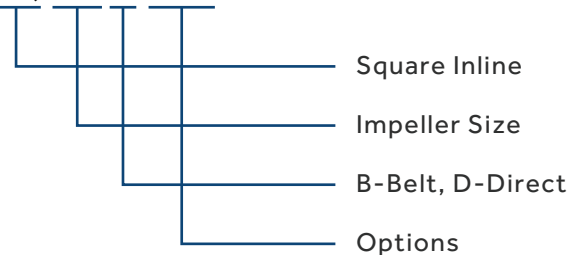
AISI 1045, turned ground and polished for accuracy. Designed to provide first critical speed of at least 1.25 times the maximum class speed.

VIBRATION ISOLATION

EIC offers a complete package of vibration isolators, isolation bases and inertia bases to simplify field assembly and reduce transmitted vibrations.

ORDER CODE

SQ xx B xxx



SPARK-RESISTANT CONSTRUCTION

Type "C", Type "B" and Type "A" classification in accordance with AMCA Standard Handbook 99 guidelines are available as an option.

Type	Construction
A	All parts in contact with the airstream are constructed of non-ferrous material
B	The fan wheel is constructed of a non-ferrous material. A non-ferrous rub ring surrounds the fan shaft where it passes through the fan housing.
C	The Wheel or the inlet cone is constructed of non-ferrous material. A non-ferrous rub ring surrounds the fan shaft where it passes through the fan housing.

NOTES

- A-** Bearings shall be placed outside the airstream.
- B-** The user shall electrically ground all fan parts.
- C-** The use of the above standard in no way implies a guarantee of safety for any level of spark resistance. "Spark resistant construction also does not protect against ignition of explosive gases caused by catastrophic failure or from any airstream material that may be present in the system."

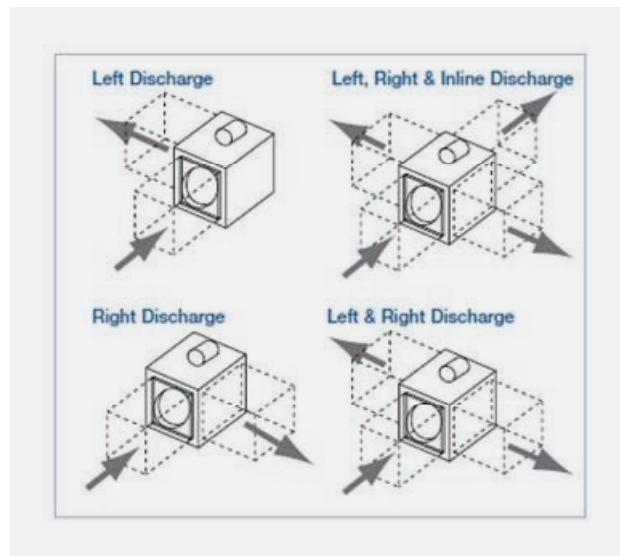
ALUMINUM CONSTRUCTION

Aluminum construction is available for all direct drive sizes and belt drive. Some drive frame components may still be of galvanized construction to maintain structural integrity.



DISCHARGE CONFIGURATION

Fan performance will change with different discharge positions. Catalog data is based on an inline discharge. Right side discharge will give you 105% of cataloged performance and left side will give you 106% of cataloged performance. Performance for right side discharge and left side discharge are not licensed by AMCA international.



FILTER BOX

A filter box containing one or two inch aluminum wire mesh, removable and washable filters is available for attachment to the fan inlet side. The filter box is constructed of galvanized steel, with duct collars for easy mounting and removable side panels for easy filter cleaning or replacement.

Disposable paper filters are also available.



OPTIONS & ACCESSORIES

DOWN BLAST ROOF EXHAUSTERS



Backdraft Damper

Backdraft Damper, with automatic or motorized operation, features a felt seal on the edge of the damper blades for quiet operation. Damper frames are constructed of steel and blades are constructed of aluminum.

Variable Speed Control

Variable Speed Control is an optional accessory; allow the adjustment of airflow for system balancing. Variable speed controllers are solid-state design, Variable speed controls can be shipped separately.



NEMA 1 type disconnect switch

NEMA 1 type disconnect switch mounted in the motor compartment when ODP or TEFC motors used. When explosion proof motors are specified, a NEMA7/9 disconnect switch will be shipped loose for field mounting and wiring.

NEMA 3R rain-tight disconnect switch

NEMA 3R rain-tight disconnect switch, externally mounted when ODP or TEFC motors are used. NEMA 3R, rain proof, disconnects are available shipped loose for field mounting and wiring or factory mounted and wired.



NEMA 4 disconnect switch

NEMA 4 disconnect switch (optional) is mounted externally and is water and dust-tight. Switch is available shipped loose for field mounting and wiring or factory mounted and wired.

NEMA 7/9 disconnect switches

NEMA7/9 disconnect switches are provided on fan with explosion proof motors. The NEMA7/9 switch is designed for use with fans operating in hazardous environments. NEMA 7/9 disconnects will be shipped loose for field mounting and wiring

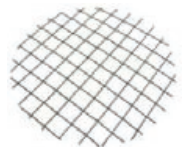


Insulated Housing

Insulated Housing for noise reduction and condensation control, the interior of the fan housing can be lined with a 1-inch fiberglass duct liner.

Inlet & Outlet Screen

Inlet & Outlet Screen Screens are available for mounting in the fan inlet or outlet.



Vibration Isolation Spring

Vibration Isolation Spring - Floor type vibration isolation mounts are available to reduce the transmission of fan vibration in 1" or 2" deflection.

Extended Lube Line

Extended Lube Lines allow for easy lubrication of bearings on belt driven units without disassembly



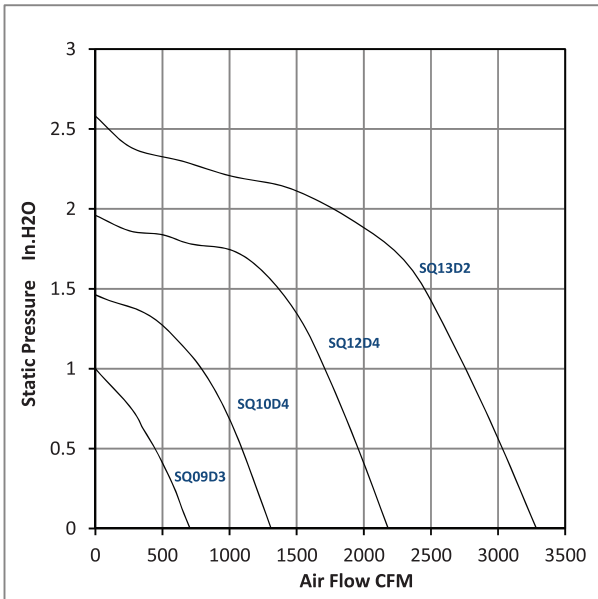
Vibration Isolation Spring

Vibration Isolation Spring - Hanger type vibration isolation mounts

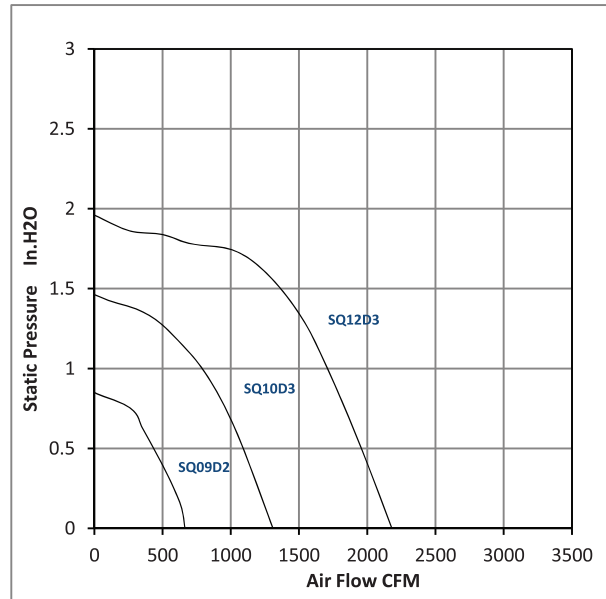
OTHER ACCESSORIES/OPTIONS:

- Special Coatings
- ATEX Certificate
- Stainless Steel Construction
- Spark B or C
- Aluminum Bird Screen
- Stainless Steel Hardware

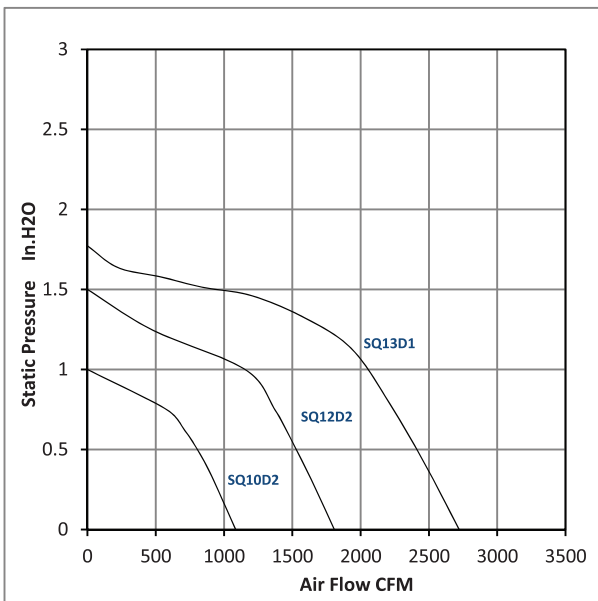
➤ Fan Curve - 1725 RPM (60Hz)



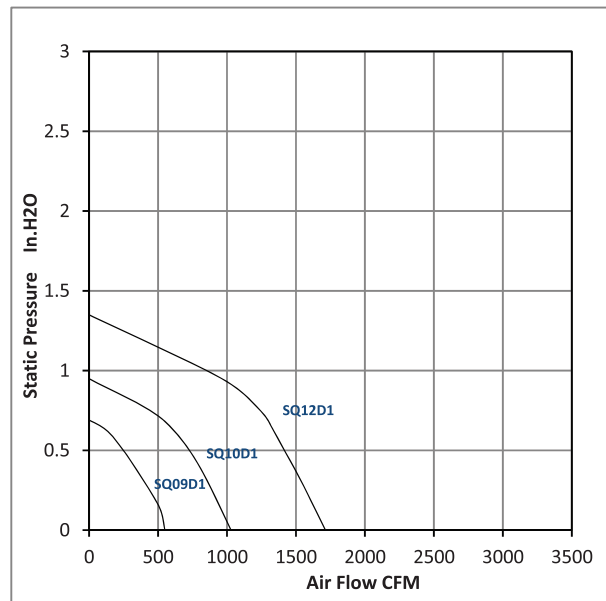
➤ Fan Curve - 1550 RPM (60Hz)



➤ Fan Curve - 1440 RPM (50Hz)



➤ Fan Curve - 1375 RPM (50Hz)

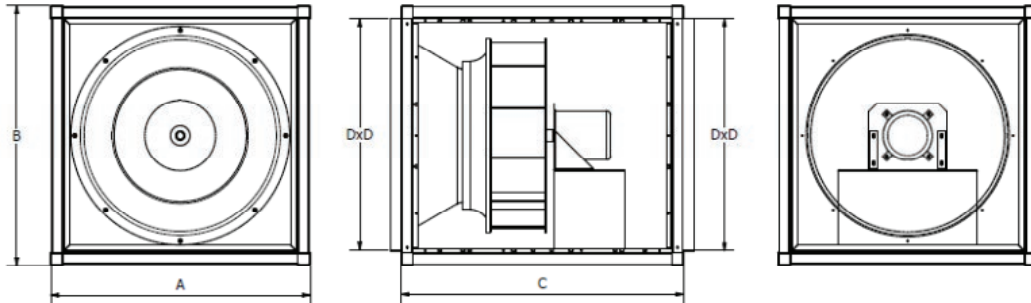


Performance is for installation type A: Free Inlet, Free Outlet. Power rating (BHP) does not include transmission losses. The sound ratings shown are loudness values in fan zones at a distance of 1.5m (5ft) in a hemispherical free field calculated per AMCA International Standard 301. Values shown are for installation Type A: free outlet hemispherical zone levels. Model SQxxD Direct Drive are not licensed to bear the AMCA Certified Rating Seal.

DIRECT DRIVE FAN DATA

SQ- INLINE FAN SERIES

► SQ 09,10,12D – Selection & Dimension Data



MODEL	A	B	C	D	KG	DAMPER SIZE
SQ09D	406	406	410	346	32	350 x 350
SQ10D	406	406	610	346	35	350 x 350
SQ12D	558	558	686	495	37	500 x 500

MODEL	Hz	HP	RPM	0.000" Pst CFM Sones	0.125" Pst CFM Sones	0.250" Pst CFM Sones	0.375" Pst CFM Sones	0.500" Pst CFM Sones	0.625" Pst CFM Sones	0.725" Pst CFM Sones	1.000" Pst CFM Sones
SQ09D1	50	1/6	1375	505	519	439	347	249	128	-	-
				5.5	5.5	5.5	5.5	5.5	5.5	-	-
SQ09D2	60	1/6	1550	655	641	583	513	435	354	269	-
				8	8	8	8	8	8	8	-
SQ09D3	60	1/4	1725	705	645	590	520	445	355	270	-
				9.4	9.4	9.4	9.4	9	9	9	-

MODEL	Hz	HP	RPM	0.000" Pst CFM Sones	0.125" Pst CFM Sones	0.250" Pst CFM Sones	0.375" Pst CFM Sones	0.500" Pst CFM Sones	0.625" Pst CFM Sones	0.725" Pst CFM Sones	1.000" Pst CFM Sones
SQ10D1	50	1/6	1375	1029	960	890	816	728	613	-	-
				11.9	11.9	11.9	11.9	11.9	11.1	-	-
SQ10D2	60	1/6	1550	116	1099	1038	974	905	827	728	-
				14	14	14	14	14	14	12	-
SQ10D3	50	1/4	1440	1085	1020	954	886	805	708	597	-
				12.8	12.8	12.8	12.8	12.8	12.8	12.8	-
SQ10D4	60	1/4	1725	1291	1236	1182	1125	1068	1004	934	728
				16.3	16.3	16.3	16.3	16.3	16.3	16.3	15.1

Model SQxxD Direct Drive are not licensed to bear the AMCA Certified Rating Seal.

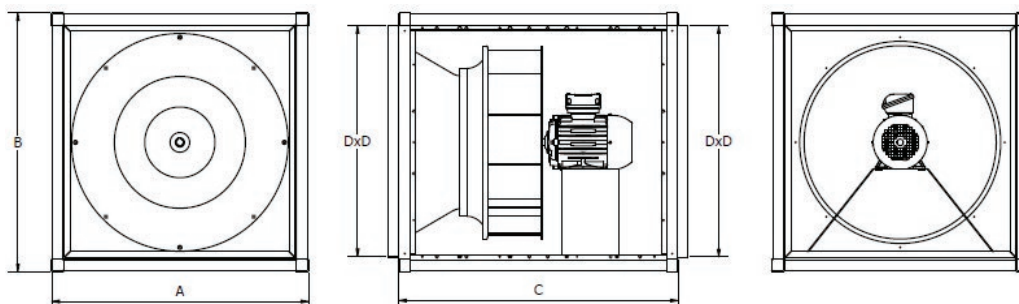
➤ SQ 09,10,12D – Selection & Dimension Data

MODEL	Hz	HP	RPM	0.000" Pst CFM Sones	0.250" Pst CFM Sones	0.375" Pst CFM Sones	0.500" Pst CFM Sones	0.625" Pst CFM Sones	1.000" Pst CFM Sones	1.250" Pst CFM Sones	1.500" Pst CFM Sones
SQ12D1	50	1/2	1375	1714	1572	1497	1417	1337	963	-	-
				20.5	20.5	20.5	20.5	20.5	19.7	-	-
SQ12D2	60	1/2	1550	1932	1806	1743	1674	1603	1369	1120	-
				23.3	23.3	23.3	23.3	23.3	23.3	22.6	20.1
SQ12D3	50	3/4	1440	1807	1672	1603	1528	1453	1374	1154	-
				21.8	21.8	21.8	21.8	21.8	21.8	21.2	-
SQ12D4	60	3/4	1725	2150	2037	1980	1923	1860	1668	1516	1292
				26.7	26.7	26.7	26.7	26.7	26.7	26.7	26.7

➤ 1/6, 1/4, 1/2 & 3/4 HP are TEAO motor.

➤ All dimensions are in mm

➤ SQ 13D – Selection & Dimension Data



MODEL	A	B	C	D	KG	DAMPER SIZE
SQ13D	558	558	686	495	42	500 x 500

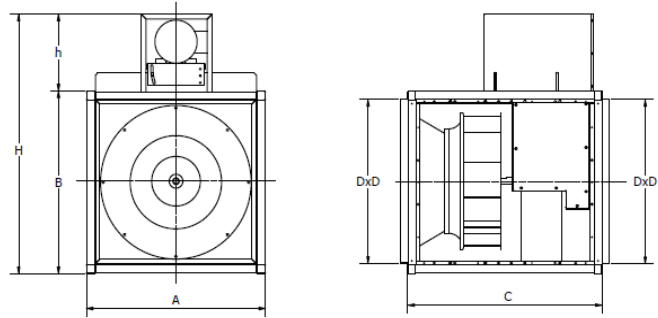
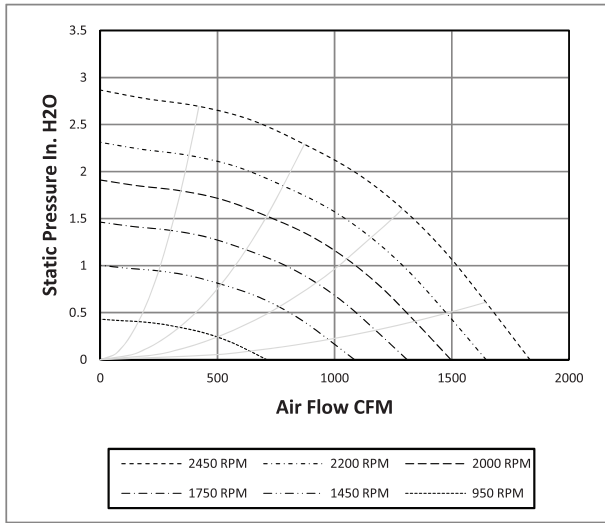
MODEL	Hz	HP	RPM	0.000" Pst CFM Sones	0.250" Pst CFM Sones	0.375" Pst CFM Sones	0.500" Pst CFM Sones	0.625" Pst CFM Sones	1.000" Pst CFM Sones	1.500" Pst CFM Sones	2.000" Pst CFM Sones
SQ13D1	50	1 1/2	1440	2722	2568	2492	2409	2324	1720	-	-
				22.8	21.5	20.9	20.4	19.8	18.4	-	-
SQ13D2	60	2	1725	3285	3158	3094	3031	2966	2600	2435	1744
				28.8	27.6	27.1	26.5	26.1	24.7	24.7	23.1

Model SQxxD Direct Drive are not licensed to bear the AMCA Certified Rating Seal.

BELT DRIVE FAN DATA

SQ- INLINE FAN SERIES

➤ SQ10B



A	B	C	D	H	h
406	406	610	346	721	315
Damper Size - 350 x 350mm					
Fan Weight - 43kg					

All dimensions are in mm

HP	RPM	0.000" Pst		0.125" Pst		0.250" Pst		0.375" Pst		0.500" Pst		0.625" Pst		1.000" Pst		1.500" Pst		2.500" Pst	
		CFM		CFM		CFM		CFM		CFM		CFM		CFM		CFM		CFM	
		BHP	Sones	BHP	Sones	BHP	Sones	BHP	Sones	BHP	Sones	BHP	Sones	BHP	Sones	BHP	Sones	BHP	Sones
1/4	900	673		569		434		125		-	-	-	-	-	-	-	-	-	-
		0.05	6.2	0.05	8.1	0.05	6.7	0.03	4.4	-	-	-	-	-	-	-	-	-	-
	950	711		612		495		285		-	-	-	-	-	-	-	-	-	-
		0.06	6.8	0.06	8.6	0.06	8.4	0.05	5.2	-	-	-	-	-	-	-	-	-	-
	1000	748		655		548		381		-	-	-	-	-	-	-	-	-	-
		0.07	7.3	0.07	8.9	0.07	9.4	0.06	6.0	-	-	-	-	-	-	-	-	-	-
	1100	823		739		649		528		336		-	-	-	-	-	-	-	-
		0.09	8.4	0.10	10.3	0.09	10.5	0.09	8.7	0.07	6.6	-	-	-	-	-	-	-	-
	1150	861		780		696		590		432		-	-	-	-	-	-	-	-
		0.11	8.9	0.11	10.7	0.11	11.0	0.10	10.5	0.09	7.5	-	-	-	-	-	-	-	-
	1200	898		821		741		646		515		-	-	-	-	-	-	-	-
		0.12	9.5	0.12	11.0	0.12	11.6	0.12	11.6	0.11	8.4	-	-	-	-	-	-	-	-
1300	973		902		828		748		647		506		-	-	-	-	-	-	
	0.15	10.7	0.16	11.9	0.15	12.7	0.15	12.8	0.15	11.5	0.13	9.0	-	-	-	-	-	-	
1/3	1400	1048		982		914		845		761		657		-	-	-	-	-	
		0.19	11.9	0.19	12.8	0.19	14.0	0.19	14.0	0.19	14.0	0.18	11.5	-	-	-	-	-	
	1450	1085		1021		957		890		812		719		-	-	-	-	-	
		0.21	12.5	0.21	13.3	0.21	14.6	0.21	14.6	0.21	14.6	0.20	13.1	-	-	-	-	-	

Performance certified is for installation type A: Free Inlet, Free Outlet. Power rating (BHP) does not include transmission losses. Performance ratings include the effects of appurtenances (belt tube and bearing cover). The sound ratings shown are loudness values in fan sones at a distance of 1.5m (5ft) in a hemispherical free field calculated per AMCA International Standard 301. Values shown are for installation Type A: free outlet hemispherical sone levels.

➤ SQ10B

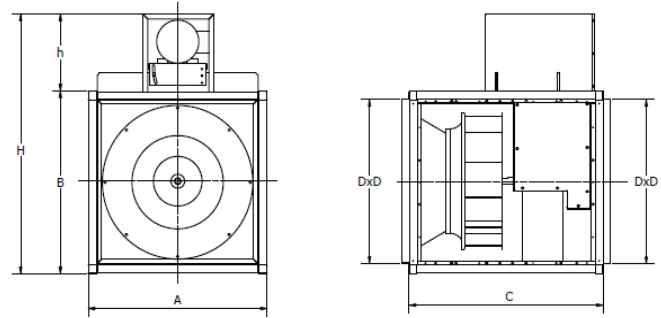
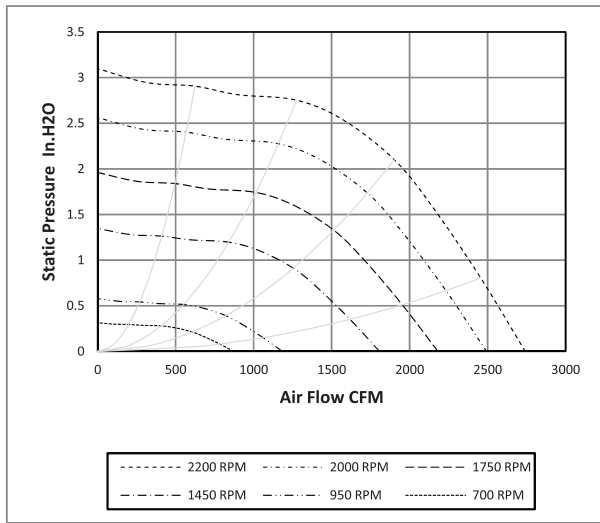
HP	RPM	0.000" Pst		0.125" Pst		0.250" Pst		0.375" Pst		0.500" Pst		0.625" Pst		1.000" Pst		1.500" Pst		2.500" Pst	
		CFM		CFM		CFM		CFM		CFM		CFM		CFM		CFM		CFM	
		BHP	Sones	BHP	Sones	BHP	Sones	BHP	Sones	BHP	Sones	BHP	Sones	BHP	Sones	BHP	Sones	BHP	Sones
1/3	1500	1122		1061		999		934		862		780		-		-		-	
		0.23	13.1	0.23	13.8	0.24	15.3	0.23	15.2	0.23	15.2	0.23	14.9	-	-	-	-	-	-
1/2	1600	1197		1140		1082		1021		961		886		565		-		-	
		0.28	14.4	0.28	14.9	0.29	16.4	0.28	16.5	0.28	16.4	0.28	16.4	0.23	12.0	-	-	-	-
	1750	1309		1257		1204		1150		1094		1036		804		-		-	
		0.36	16.4	0.37	16.7	0.37	17.8	0.37	18.4	0.37	18.4	0.36	18.3	0.35	15.2	-	-	-	-
3/4	1900	1422		1373		1325		1276		1225		1174		990		570		-	
		0.46	18.4	0.47	18.7	0.47	19.5	0.48	20.5	0.47	20.4	0.47	20.3	0.46	19.8	0.36	15.3	-	-
	2000	1497		1450		1404		1358		1310		1262		1096		761		-	
		0.54	19.8	0.55	19.9	0.55	20.7	0.56	21.6	0.56	21.8	0.55	21.7	0.53	21.4	0.47	17.3	-	-
1	2100	1571		1527		1483		1439		1395		1348		1198		926		-	
		0.62	21.2	0.63	21.2	0.64	21.9	0.64	22.6	0.65	23.2	0.64	23.1	0.62	22.8	0.59	19.4	-	-
	2200	1646		1604		1562		1520		1478		1434		1297		1057		-	
		0.72	22.6	0.72	22.7	0.73	23.2	0.74	23.8	0.74	24.6	0.74	24.5	0.72	24.2	0.69	21.7	-	-
	2300	1721		1681		1641		1601		1560		1519		1392		1180		-	
		0.82	24.0	0.82	24.1	0.83	24.5	0.84	25.1	0.85	25.7	0.84	25.9	0.82	25.6	0.80	24.5	-	-
1 1/2	2400	1796		1757		1719		1680		1642		1603		1481		1292		-	
		0.93	25.4	0.94	25.6	0.94	25.8	0.95	26.4	0.96	26.9	0.96	27.4	0.94	27.0	0.92	26.5	-	-
	2450	1833		1796		1758		1720		1683		1645		1526		1343		731	
		1.00	26.2	1.00	26.4	1.00	26.6	1.01	27.0	1.02	27.5	1.03	28.1	1.00	27.7	0.98	27.3	0.77	23.1

Performance certified is for installation type A: Free Inlet, Free Outlet. Power rating (BHP) does not include transmission losses. Performance ratings include the effects of appurtenances (belt tube and bearing cover). The sound ratings shown are loudness values in fan sones at a distance of 1.5m (5ft) in a hemispherical free field calculated per AMCA International Standard 301. Values shown are for installation Type A: free outlet hemispherical sone levels.

BELT DRIVE FAN DATA

SQ- INLINE FAN SERIES

➤ SQ12B



A	B	C	D	H	h
558	558	686	495	923	365
Damper Size – 500 x 500 mm					
Fan Weight – 45 KG					

All dimensions are in mm

HP	RPM	0.000" Pst		0.125" Pst		0.250" Pst		0.375" Pst		0.500" Pst		0.625" Pst		1.000" Pst		1.500" Pst		2.500" Pst	
		CFM		CFM		CFM		CFM		CFM		CFM		CFM		CFM		CFM	
		BHP	Sones	BHP	Sones	BHP	Sones	BHP	Sones	BHP	Sones	BHP	Sones	BHP	Sones	BHP	Sones	BHP	Sones
1/4	700	872		730		529		-		-		-		-		-		-	
		0.05	5.4	0.05	5.7	0.05	5.6	-	-	-	-	-	-	-	-	-	-	-	-
	800	997		876		734		-		-		-		-		-		-	
		0.07	6.8	0.08	7.0	0.08	7.1	-	-	-	-	-	-	-	-	-	-	-	-
	900	1122		1015		898		749		-		-		-		-		-	
		0.09	8.1	0.10	8.3	0.11	8.5	0.11	8.4	-	-	-	-	-	-	-	-	-	-
950	1184		1083		973		848		625		-		-		-		-		
	0.11	8.9	0.12	9.1	0.13	9.2	0.13	9.2	0.12	8.8	-	-	-	-	-	-	-	-	
1000	1246		1151		1048		934		773		-		-		-		-		
	0.13	9.7	0.14	9.8	0.15	10.0	0.15	10.0	0.15	9.9	-	-	-	-	-	-	-	-	
1/3	1100	1371		1284		1193		1096		985		821		-		-		-	
		0.17	11.4	0.18	11.5	0.19	11.6	0.20	11.7	0.20	11.6	0.20	11.4	-	-	-	-	-	
1150	1433		1350		1265		1172		1071		939		-		-		-		
	0.19	12.3	0.20	12.3	0.22	12.3	0.22	12.5	0.23	12.5	0.23	12.3	-	-	-	-	-	-	
1/2	1200	1495		1416		1336		1247		1155		1048		-		-		-	
		0.22	13.1	0.23	13.1	0.24	13.1	0.25	13.3	0.26	13.3	0.26	13.2	-	-	-	-	-	
1300	1620		1547		1473		1393		1311		1221		-		-		-		
	0.28	14.9	0.29	14.8	0.30	14.9	0.31	14.9	0.32	15.0	0.33	15.0	-	-	-	-	-		

Performance certified is for installation type A: Free Inlet, Free Outlet. Power rating (BHP) does not include transmission losses. Performance ratings include the effects of appurtenances (belt tube and bearing cover). The sound ratings shown are loudness values in fan sones at a distance of 1.5m (5ft) in a hemispherical free field calculated per AMCA International Standard 301. Values shown are for installation Type A: free outlet hemispherical sone levels.

➤ SQ12B

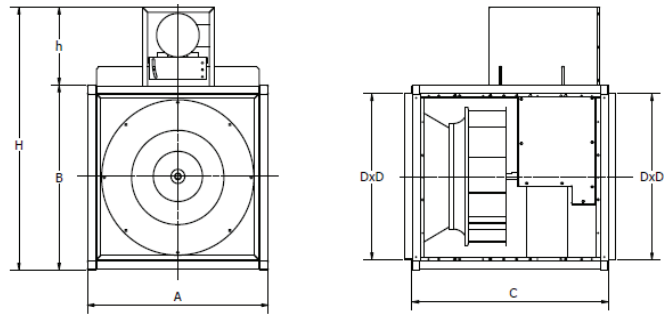
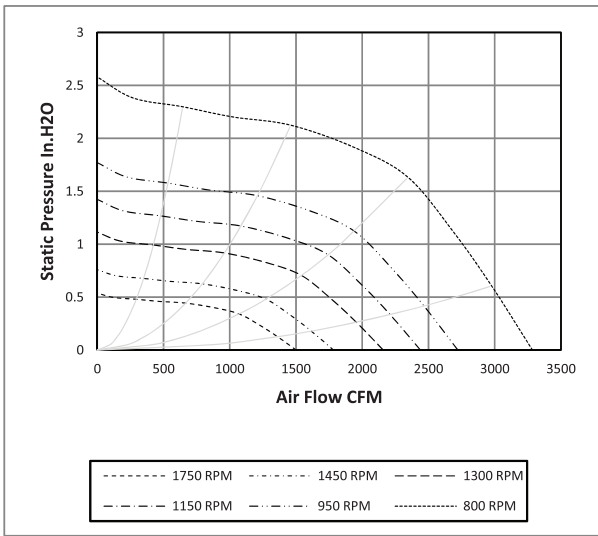
HP	RPM	0.000" Pst		0.125" Pst		0.250" Pst		0.375" Pst		0.500" Pst		0.625" Pst		1.000" Pst		1.500" Pst		2.500" Pst	
		CFM		CFM		CFM		CFM		CFM		CFM		CFM		CFM		CFM	
		BHP	Sones	BHP	Sones	BHP	Sones	BHP	Sones	BHP	Sones	BHP	Sones	BHP	Sones	BHP	Sones	BHP	Sones
1/2	1400	1745		1676		1608		1537		1461		1384		1059		-		-	
		0.35	16.6	0.36	16.6	0.37	16.7	0.39	16.7	0.39	16.7	0.40	16.8	0.40	16.5	-	-	-	-
3/4	1450	1807		1741		1675		1608		1534		1461		1177		-		-	
		0.38	17.6	0.40	17.6	0.41	17.6	0.43	17.6	0.44	17.7	0.45	17.7	0.45	17.5	-	-	-	-
	1500	1869		1806		1742		1678		1607		1536		1293		-		-	
		0.42	18.6	0.44	18.6	0.45	18.6	0.47	18.6	0.48	18.6	0.49	18.7	0.51	18.5	-	-	-	-
	1600	1994		1934		1874		1815		1751		1684		1469		-		-	
		0.51	20.5	0.53	20.5	0.54	20.5	0.56	20.6	0.57	20.6	0.58	20.6	0.61	20.6	-	-	-	-
1700	2119		2062		2006		1950		1893		1830		1638		1261		-		
	0.61	22.5	0.63	22.5	0.65	22.5	0.66	22.5	0.68	22.5	0.69	22.5	0.73	22.7	0.72	22.4	-	-	
1	1750	2181		2126		2072		2017		1962		1902		1719		1381		-	
		0.67	23.5	0.69	23.5	0.70	23.5	0.72	23.5	0.74	23.5	0.75	23.6	0.79	23.7	0.79	23.5	-	-
1900	2368		2318		2267		2217		2166		2116		1947		1696		-		
	0.86	26.7	0.87	26.7	0.89	26.8	0.91	26.8	0.93	26.8	0.95	26.9	0.99	27.0	1.02	26.9	-	-	
1 1/2	2200	2742		2698		2655		2611		2568		2524		2387		2192		1641	
		1.33	34.3	1.35	34.3	1.37	34.3	1.39	34.3	1.41	34.4	1.43	34.4	1.49	34.4	1.55	34.5	1.55	33.8

Performance certified is for installation type A: Free Inlet, Free Outlet. Power rating (BHP) does not include transmission losses. Performance ratings include the effects of appurtenances (belt tube and bearing cover). The sound ratings shown are loudness values in fan sones at a distance of 1.5m (5ft) in a hemispherical free field calculated per AMCA International Standard 301. Values shown are for installation Type A: free outlet hemispherical sone levels.

BELT DRIVE FAN DATA

SQ- INLINE FAN SERIES

➤ SQ13B



A	B	C	D	H	h
558	558	686	495	923	365
Damper Size – 500 x 500 mm					
Fan Weight – 45 KG					

All dimensions are in mm

HP	RPM	0.000" Pst		0.125" Pst		0.250" Pst		0.375" Pst		0.500" Pst		0.625" Pst		1.000" Pst		1.500" Pst		2.500" Pst	
		CFM		CFM		CFM		CFM		CFM		CFM		CFM		CFM		CFM	
		BHP	Sones	BHP	Sones	BHP	Sones	BHP	Sones	BHP	Sones	BHP	Sones	BHP	Sones	BHP	Sones	BHP	Sones
1/4	600	1126		936		533		-		-		-		-		-		-	
		0.07	5.1	0.06	4.4	0.06	3.6	-	-	-	-	-	-	-	-	-	-	-	-
	700	1314		1155		965		262		-		-		-		-		-	
		0.09	6.7	0.10	6.0	0.10	5.5	0.06	5.0	-	-	-	-	-	-	-	-	-	-
	800	1502		1365		1212		990		202		-		-		-		-	
		0.13	8.5	0.14	7.8	0.15	7.2	0.15	6.7	0.08	6.2	-	-	-	-	-	-	-	-
900	1689		1568		1438		1289		1045		374		-		-		-		
	0.19	10.4	0.20	9.7	0.20	9.1	0.21	8.6	0.21	7.9	0.13	7.5	-	-	-	-	-	-	
1/3	950	1783		1669		1547		1412		1251		892		-		-		-	
		0.22	11.1	0.23	10.5	0.24	9.9	0.25	9.4	0.25	8.9	0.22	8.3	-	-	-	-	-	-
	1000	1877		1768		1654		1533		1391		1167		-		-		-	
		0.26	12.0	0.27	11.4	0.28	10.8	0.28	10.3	0.29	9.8	0.29	9.3	-	-	-	-	-	-
1/2	1100	2065		1966		1866		1756		1638		1519		-		-		-	
		0.34	13.7	0.35	13.2	0.36	12.7	0.37	12.3	0.38	11.8	0.39	11.4	-	-	-	-	-	-
	1150	2159		2064		1969		1865		1759		1645		-		-		-	
		0.39	14.8	0.40	14.3	0.41	13.7	0.42	13.3	0.43	12.9	0.44	12.4	-	-	-	-	-	-
3/4	1200	2252		2162		2071		1973		1872		1768		1487		-		-	
		0.44	15.9	0.45	15.3	0.46	14.8	0.47	14.3	0.48	13.9	0.49	13.5	0.50	12.0	-	-	-	-

Performance certified is for installation type A: Free Inlet, Free Outlet. Power rating (BHP) does not include transmission losses. Performance ratings include the effects of appurtenances (belt tube and bearing cover). The sound ratings shown are loudness values in fan sones at a distance of 1.5m (5ft) in a hemispherical free field calculated per AMCA International Standard 301. Values shown are for installation Type A: free outlet hemispherical sone levels.

> SQ13B

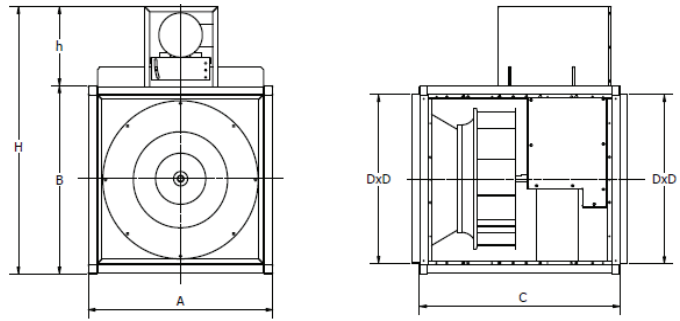
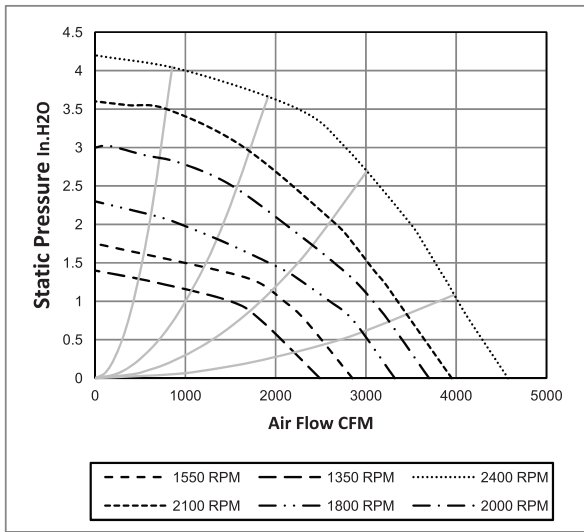
HP	RPM	0.000" Pst		0.125" Pst		0.250" Pst		0.375" Pst		0.500" Pst		0.625" Pst		1.000" Pst		1.500" Pst		2.500" Pst	
		CFM		CFM		CFM		CFM		CFM		CFM		CFM		CFM		CFM	
		BHP	Sones	BHP	Sones	BHP	Sones	BHP	Sones	BHP	Sones	BHP	Sones	BHP	Sones	BHP	Sones	BHP	Sones
3/4	1300	2440		2356		2273		2186		2093		2007		1809		-		-	
		0.56	18.1	0.57	17.6	0.59	17.1	0.60	16.6	0.61	16.1	0.62	15.7	0.63	14.3	-	-	-	-
1	1400	2628		2550		2472		2394		2309		2230		2058		-		-	
		0.70	20.4	0.71	19.8	0.73	19.3	0.74	18.9	0.75	18.4	0.76	17.9	0.78	16.7	-	-	-	-
	1450	2722		2647		2571		2496		2416		2339		2180		-		-	
		0.78	21.6	0.79	21.1	0.80	20.6	0.82	20.1	0.83	19.7	0.84	19.2	0.86	18.0	-	-	-	-
1 1/2	1500	2816		2743		2670		2598		2522		2448		2300		1495		-	
		0.86	22.9	0.87	22.4	0.89	21.9	0.90	21.4	0.91	20.9	0.92	20.5	0.94	19.2	0.89	17.3	-	-
	1600	3003		2935		2867		2799		2731		2662		2524		1981		-	
		1.04	25.4	1.06	24.9	1.07	24.4	1.09	23.9	1.10	23.5	1.11	23.0	1.13	21.7	1.17	19.9	-	-
2	1700	3191		3127		3063		2999		2935		2874		2744		2327		-	
		1.25	28.3	1.27	27.7	1.28	27.2	1.30	26.6	1.31	26.1	1.33	25.7	1.35	24.4	1.41	22.7	-	-

Performance certified is for installation type A: Free Inlet, Free Outlet. Power rating (BHP) does not include transmission losses. Performance ratings include the effects of appurtenances (belt tube and bearing cover). The sound ratings shown are loudness values in fan sones at a distance of 1.5m (5ft) in a hemispherical free field calculated per AMCA International Standard 301. Values shown are for installation Type A: free outlet hemispherical sone levels.

BELT DRIVE FAN DATA

SQ- INLINE FAN SERIES

► SQ13BHP



A	B	C	D	H	h
558	558	686	495	923	365
Damper Size - 500 x 500 mm					
Fan Weight - 48kg					

All dimensions are in mm

	RPM	0.000" Pst		0.750" Pst		1.000" Pst		1.250" Pst		1.500" Pst		2.000" Pst		2.500" Pst		3.000" Pst		3.500" Pst	
		CFM		CFM		CFM		CFM		CFM		CFM		CFM		CFM		CFM	
		BHP	Sones	BHP	Sones	BHP	Sones	BHP	Sones	BHP	Sones	BHP	Sones	BHP	Sones	BHP	Sones	BHP	Sones
1/3	1050	2000		930		-		-		-		-		-		-		-	
		0.25	12	0.28	9	-	-	-	-	-	-	-	-	-	-	-	-	-	-
1/2	1150	2200		1340		-		-		-		-		-		-		-	
		0.37	13	0.38	10.5	-	-	-	-	-	-	-	-	-	-	-	-	-	-
	1250	3300		1615		1154		-		-		-		-		-		-	
		0.40	15	0.49	12	0.45	12	-	-	-	-	-	-	-	-	-	-	-	-
3/4	1350	2490		1840		1500		-		-		-		-		-		-	
		0.55	16	0.60	12.5	0.60	12.5	-	-	-	-	-	-	-	-	-	-	-	-
1	1450	2750		2140		1875		1525		870		-		-		-		-	
		0.85	18	0.70	15	0.70	15	0.70	15	0.68	15	-	-	-	-	-	-	-	-
	1550	2850		2330		2095		1800		1371		-		-		-		-	
		0.92	19	0.82	16	0.83	16	0.85	16	0.80	16	-	-	-	-	-	-	-	-
1 1/2	1650	3100		2550		2350		2090		1800		1300		-		-		-	
		1.20	19	0.97	17.5	1.00	17.5	1.10	17.5	1.10	17.5	1.09	17.4	-	-	-	-	-	-
	1800	3550		2840		2445		2200		1925		1460		-		-		-	
1.30		21	1.20	18	1.20	18	1.24	18	1.26	18.5	1.20	19	-	-	-	-	-	-	
2	2000	3860		3250		3080		2900		2700		2275		1520		-		-	
		1.80	22	1.61	20	1.61	20	1.63	20	1.70	20	21	1.65	1.60	21	-	-	-	-

Performance is for installation type A: Free Inlet, Free Outlet. Power rating (BHP) does not include transmission losses. Performance ratings include the effects of appurtenances (belt tube and bearing cover). The sound ratings shown are loudness values in fan sones at a distance of 1.5m (5ft) in a hemispherical free field calculated per AMCA International Standard 301. Values shown are for installation Type A: free outlet hemispherical sone levels. Model SQ13BHP is not licensed to bear the AMCA Certified Rating Seal.

► SQ13BHP

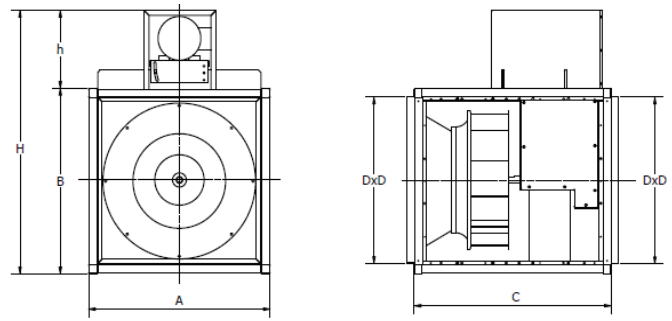
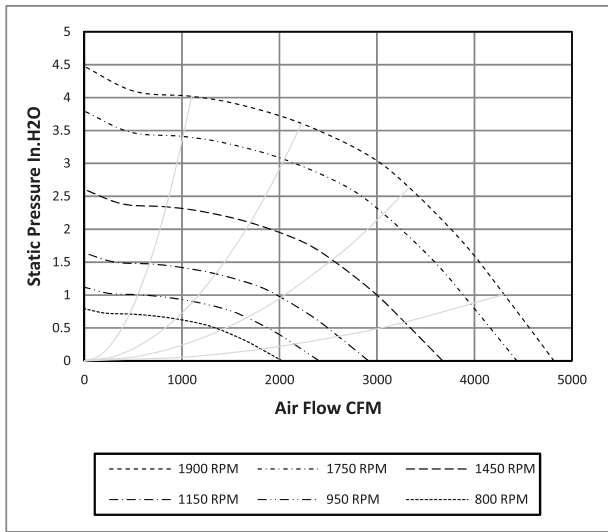
	RPM	0.000" Pst		0.750" Pst		1.000" Pst		1.250" Pst		1.500" Pst		2.000" Pst		2.500" Pst		3.000" Pst		3.500" Pst	
		CFM		CFM		CFM		CFM		CFM		CFM		CFM		CFM		CFM	
		BHP	Sones	BHP	Sones	BHP	Sones	BHP	Sones	BHP	Sones	BHP	Sones	BHP	Sones	BHP	Sones	BHP	Sones
3	2100	4000		3500		3350		3200		3010		2660		2172		1252		-	
		1.93	22	1.90	21	1.95	21	2.00	21	2.00	22	2.10	22	2.10	22	1.80	22	-	-
	2200	4210		3750		3600		3450		3275		2775		2560		1950		-	
		2.30	25	2.17	23	2.23	23	2.22	23	2.30	24	2.40	24	2.40	24	2.30	24	-	-
	2300	4390		3950		3825		3685		3530		3375		2875		2420		1630	
		2.55	27	2.45	24	2.55	24	2.60	24	2.60	25	2.65	25	2.70	25	2.70	25	2.50	24
4	2400	4575		4150		4000		390		3775		3400		3150		2775		2250	
		3.30	29	2.90	26	2.90	26	3.00	26	3.10	26	3.10	26	3.10	26	3.20	26	3.10	26

Performance is for installation type A: Free Inlet, Free Outlet. Power rating (BHP) does not include transmission losses. Performance ratings include the effects of appurtenances (belt tube and bearing cover). The sound ratings shown are loudness values in fan sones at a distance of 1.5m (5ft) in a hemispherical free field calculated per AMCA International Standard 301. Values shown are for installation Type A: free outlet hemispherical sone levels. Model SQ13BHP is not licensed to bear the AMCA Certified Rating Seal.

BELT DRIVE FAN DATA

SQ- INLINE FAN SERIES

➤ SQ15B



A	B	C	D	H	h
711	711	838	651	1076	365
Damper Size - 655 x 655mm					
Fan Weight - 98kg					

All dimensions are in mm

HP	RPM	0.000" Pst		0.250" Pst		0.375" Pst		0.500" Pst		0.625" Pst		1.000" Pst		1.500" Pst		2.000" Pst		3.000" Pst	
		CFM		CFM		CFM		CFM		CFM		CFM		CFM		CFM		CFM	
		BHP	Sones	BHP	Sones	BHP	Sones	BHP	Sones	BHP	Sones	BHP	Sones	BHP	Sones	BHP	Sones	BHP	Sones
1/4	600	1521		1089		650		-		-		-		-		-		-	
		0.10	7.5	0.11	5.1	0.10	4.5	-	-	-	-	-	-	-	-	-	-	-	-
1/4	700	1774		1430		1204		819		-		-		-		-		-	
		0.16	9.5	0.17	7.5	0.17	6.3	0.15	5.9	-	-	-	-	-	-	-	-	-	-
1/3	800	2028		1729		1559		1356		1030		-		-		-		-	
		0.24	11.5	0.25	9.4	0.25	8.5	0.25	7.8	0.23	7.3	-	-	-	-	-	-	-	-
1/2	900	2281		2018		1880		1719		1539		-		-		-		-	
		0.34	14.0	0.35	12.0	0.35	11.1	0.35	10.2	0.35	9.4	-	-	-	-	-	-	-	-
1/2	950	2408		2160		2030		1889		1727		-		-		-		-	
		0.40	15.3	0.41	13.3	0.41	12.4	0.41	11.6	0.41	10.7	-	-	-	-	-	-	-	-
3/4	1000	2534		2299		2177		2053		1901		1225		-		-		-	
		0.47	16.7	0.48	14.8	0.48	13.9	0.48	13.0	0.48	12.1	0.44	10.4	-	-	-	-	-	-
3/4	1100	2788		2574		2465		2353		2238		1785		-		-		-	
		0.62	19.5	0.63	17.7	0.64	16.8	0.64	16.0	0.64	15.3	0.63	12.7	-	-	-	-	-	-
1	1150	2915		2710		2607		2500		2392		1995		-		-		-	
		0.71	21.2	0.72	19.2	0.73	18.4	0.73	17.6	0.73	16.8	0.73	14.2	-	-	-	-	-	-
1	1200	3041		2845		2747		2645		2542		2178		1299		-		-	
		0.80	22.8	0.82	21.0	0.82	20.1	0.83	19.2	0.83	18.4	0.83	15.8	0.73	14.1	-	-	-	-

Performance certified is for installation type A: Free Inlet, Free Outlet. Power rating (BHP) does not include transmission losses. Performance ratings include the effects of appurtenances (belt tube and bearing cover). The sound ratings shown are loudness values in fan sones at a distance of 1.5m (5ft) in a hemispherical free field calculated per AMCA International Standard 301. Values shown are for installation Type A: free outlet hemispherical sone levels.

➤ SQ15B

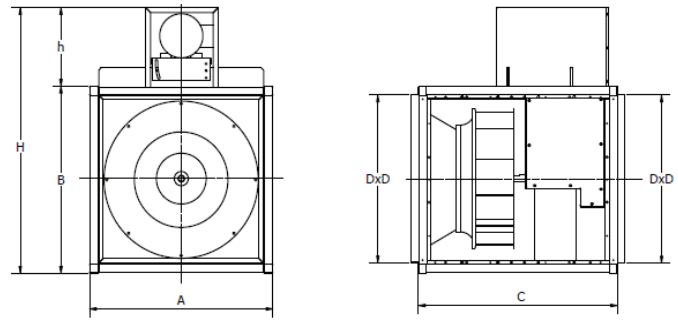
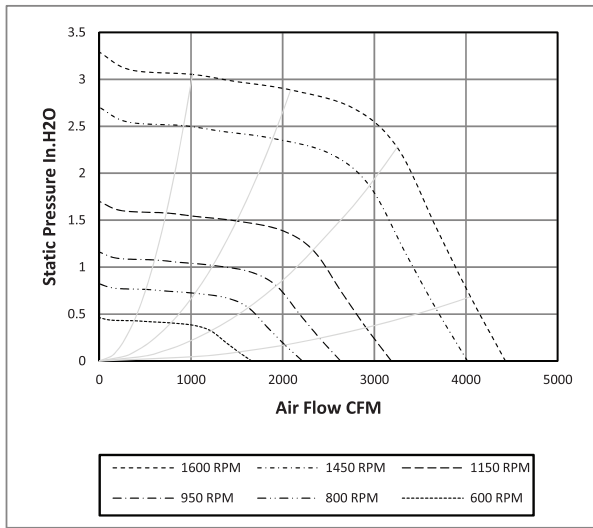
HP	RPM	0.000" Pst		0.250" Pst		0.375" Pst		0.500" Pst		0.625" Pst		1.000" Pst		1.500" Pst		2.000" Pst		3.000" Pst	
		CFM		CFM		CFM		CFM		CFM		CFM		CFM		CFM		CFM	
		BHP	Sones	BHP	Sones	BHP	Sones	BHP	Sones	BHP	Sones	BHP	Sones	BHP	Sones	BHP	Sones	BHP	Sones
1 1/2	1300	3295		3113		3023		2932		2836		2524		1979		-		-	
		1.02	26.3	1.03	24.3	1.04	23.5	1.05	22.7	1.05	21.9	1.05	19.3	1.03	16.1	-	-	-	-
	1400	3548		3380		3296		3212		3125		2859		2408		1639		-	
		1.27	28.6	1.29	26.8	1.29	25.9	1.30	25.1	1.31	24.4	1.32	22.3	1.31	19.1	1.19	18.1	-	-
2	1450	3675		3512		3431		3350		3268		3011		2598		1963		-	
		1.41	29.8	1.43	28.0	1.44	27.2	1.44	26.4	1.45	25.7	1.46	23.6	1.46	20.6	1.38	19.1	-	-
3	1600	4055		3908		3834		3761		3687		3458		3118		2712		-	
		1.89	34.2	1.91	32.5	1.92	31.8	1.93	31.0	1.94	30.2	1.96	28.0	1.96	25.5	1.94	23.2	-	-
	1700	4308		4170		4101		4031		3962		3749		3453		3091		1866	
		2.27	38.0	2.29	36.3	2.30	35.4	2.31	34.6	2.32	33.9	2.34	31.8	2.36	29.1	2.34	26.6	2.07	24.8

Performance certified is for installation type A: Free Inlet, Free Outlet. Power rating (BHP) does not include transmission losses. Performance ratings include the effects of appurtenances (belt tube and bearing cover). The sound ratings shown are loudness values in fan sones at a distance of 1.5m (5ft) in a hemispherical free field calculated per AMCA International Standard 301. Values shown are for installation Type A: free outlet hemispherical sone levels.

BELT DRIVE FAN DATA

SQ- INLINE FAN SERIES

► SQ16B



A	B	C	D	H	h
711	711	838	651	1076	365
Damper Size - 655 x 655mm					
Fan Weight - 105kg					

All dimensions are in mm

HP	RPM	0.000" Pst		0.250" Pst		0.375" Pst		0.500" Pst		0.625" Pst		1.000" Pst		1.500" Pst		2.000" Pst		2.500" Pst	
		CFM		CFM		CFM		CFM		CFM		CFM		CFM		CFM		CFM	
		BHP	Sones	BHP	Sones	BHP	Sones	BHP	Sones	BHP	Sones	BHP	Sones	BHP	Sones	BHP	Sones	BHP	Sones
1/4	500	1385		932		-		-		-		-		-		-		-	
		0.08	5.7	0.09	4.6	-	-	-	-	-	-	-	-	-	-	-	-	-	-
1/4	600	1662		1319		1073		-		-		-		-		-		-	
		0.13	7.7	0.15	6.7	0.15	6.2	-	-	-	-	-	-	-	-	-	-	-	
1/3	700	1939		1640		1500		1279		-		-		-		-		-	
		0.20	9.9	0.22	8.8	0.24	8.4	0.24	8.0	-	-	-	-	-	-	-	-	-	
1/2	800	2216		1950		1826		1704		1525		-		-		-		-	
		0.30	12.2	0.32	11.3	0.34	10.8	0.35	10.3	0.36	9.9	-	-	-	-	-	-	-	
3/4	900	2493		2253		2142		2032		1924		-		-		-		-	
		0.42	14.5	0.45	13.6	0.46	13.2	0.48	12.8	0.50	12.3	-	-	-	-	-	-	-	
3/4	950	2631		2402		2297		2192		2089		-		-		-		-	
		0.49	15.8	0.52	14.9	0.54	14.4	0.56	14.0	0.58	13.6	-	-	-	-	-	-	-	
1	1000	2770		2551		2450		2350		2252		1864		-		-		-	
		0.57	17.1	0.60	16.2	0.62	15.7	0.64	15.3	0.66	14.9	0.70	13.7	-	-	-	-	-	
1 1/2	1100	3047		2848		2752		2661		2571		2304		-		-		-	
		0.76	19.6	0.79	18.8	0.81	18.4	0.83	18.0	0.86	17.6	0.93	16.4	-	-	-	-	-	
1 1/2	1150	3185		2995		2901		2815		2728		2472		-		-		-	
		0.87	20.8	0.90	20.0	0.92	19.6	0.94	19.3	0.97	18.9	1.04	17.7	-	-	-	-	-	

Performance certified is for installation type A: Free Inlet, Free Outlet. Power rating (BHP) does not include transmission losses. Performance ratings include the effects of appurtenances (belt tube and bearing cover). The sound ratings shown are loudness values in fan sones at a distance of 1.5m (5ft) in a hemispherical free field calculated per AMCA International Standard 301. Values shown are for installation Type A: free outlet hemispherical sone levels.

➤ SQ16B

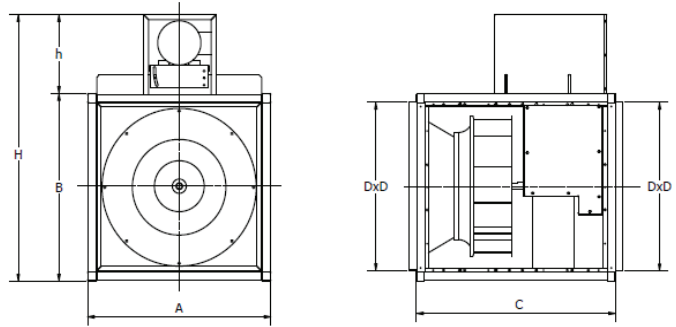
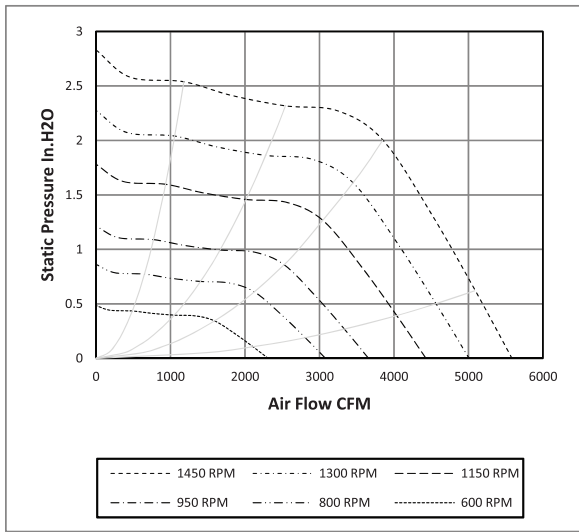
HP	RPM	0.000" Pst		0.250" Pst		0.375" Pst		0.500" Pst		0.625" Pst		1.000" Pst		1.500" Pst		2.000" Pst		2.500" Pst	
		CFM		CFM		CFM		CFM		CFM		CFM		CFM		CFM		CFM	
		BHP	Sones	BHP	Sones	BHP	Sones	BHP	Sones	BHP	Sones	BHP	Sones	BHP	Sones	BHP	Sones	BHP	Sones
1 1/2	1200	3324		3142		3051		2967		2884		2637		2147		-		-	
		0.99	22.2	1.02	21.4	1.04	21.0	1.06	20.6	1.09	20.3	1.16	19.2	1.19	17.8	-	-	-	-
2	1300	3601		3433		3349		3267		3190		2961		2661		-		-	
		1.25	24.9	1.29	24.1	1.31	23.8	1.33	23.4	1.36	23.1	1.44	22.0	1.55	20.7	-	-	-	-
	1400	3878		3722		3644		3566		3493		3279		2999		2559		-	
		1.56	27.7	1.60	27.0	1.62	26.6	1.64	26.3	1.67	25.9	1.76	24.9	1.87	23.6	1.89	22.4	-	-
3	1450	4016		3865		3790		3715		3642		3436		3165		2831		-	
		1.73	29.2	1.78	28.5	1.80	28.1	1.82	27.8	1.84	27.5	1.93	26.4	2.06	25.1	2.13	23.9	-	-
	1500	4155		4009		3936		3863		3791		3592		3329		3069		2290	
		1.92	30.7	1.96	30.0	1.98	29.7	2.01	29.3	2.03	29.0	2.12	28.0	2.25	26.7	2.37	25.4	2.13	24.0
4	1600	4432		4295		4227		4159		4090		3900		3652		3408		3051	
		2.33	34.1	2.37	33.3	2.40	32.9	2.42	32.6	2.44	32.2	2.54	31.2	2.67	29.9	2.81	28.6	2.85	27.4

Performance certified is for installation type A: Free Inlet, Free Outlet. Power rating (BHP) does not include transmission losses. Performance ratings include the effects of appurtenances (belt tube and bearing cover). The sound ratings shown are loudness values in fan sones at a distance of 1.5m (5ft) in a hemispherical free field calculated per AMCA International Standard 301. Values shown are for installation Type A: free outlet hemispherical sone levels.

BELT DRIVE FAN DATA

SQ- INLINE FAN SERIES

► SQ20B



A	B	C	D	H	h
711	711	838	651	1076	365
Damper Size - 655 x 655mm					
Fan Weight - 145kg					

All dimensions are in mm

HP	RPM	0.000" Pst		0.250" Pst		0.375" Pst		0.500" Pst		0.625" Pst		1.000" Pst		1.500" Pst		2.000" Pst		2.500" Pst	
		CFM		CFM		CFM		CFM		CFM		CFM		CFM		CFM		CFM	
		BHP	Sones	BHP	Sones	BHP	Sones	BHP	Sones	BHP	Sones	BHP	Sones	BHP	Sones	BHP	Sones	BHP	Sones
1/4	500	1926		1285		-		-		-		-		-		-		-	
		0.10	6.2	0.12	5.8	-	-	-	-	-	-	-	-	-	-	-	-	-	-
1/3	600	2311		1810		1420		-		-		-		-		-		-	
		0.17	8.4	0.21	8.0	0.21	7.7	-	-	-	-	-	-	-	-	-	-	-	-
1/2	700	2697		2285		2058		1753		-		-		-		-		-	
		0.27	11.1	0.31	10.5	0.33	10.1	0.33	9.8	-	-	-	-	-	-	-	-	-	-
3/4	800	3082		2726		2540		2334		2116		-		-		-		-	
		0.41	13.6	0.45	13.0	0.47	12.7	0.49	12.3	0.50	12.1	-	-	-	-	-	-	-	-
1	900	3467		3154		2989		2824		2638		-		-		-		-	
		0.58	16.3	0.62	15.7	0.65	15.4	0.67	15.1	0.69	14.7	-	-	-	-	-	-	-	-
	950	3660		3363		3209		3052		2887		2018		-		-		-	
		0.68	17.8	0.72	17.1	0.75	16.8	0.78	16.4	0.80	16.0	0.75	15.4	-	-	-	-	-	-
1 1/2	1000	3852		3571		3426		3277		3128		2569		-		-		-	
		0.79	19.2	0.84	18.5	0.87	18.2	0.90	18.0	0.92	17.7	0.96	16.7	-	-	-	-	-	-
	1100	4238		3982		3853		3718		3583		3142		-		-		-	
		1.05	22.2	1.10	21.5	1.13	21.2	1.16	20.9	1.20	20.7	1.27	19.9	-	-	-	-	-	-
2	1150	4430		4185		4063		3935		3806		3395		-		-		-	
		1.20	23.7	1.26	23.0	1.28	22.8	1.32	22.5	1.35	22.3	1.43	21.5	-	-	-	-	-	-

Performance certified is for installation type A: Free Inlet, Free Outlet. Power rating (BHP) does not include transmission losses. Performance ratings include the effects of appurtenances (belt tube and bearing cover). The sound ratings shown are loudness values in fan sones at a distance of 1.5m (5ft) in a hemispherical free field calculated per AMCA International Standard 301. Values shown are for installation Type A: free outlet hemispherical sone levels.

➤ SQ20B

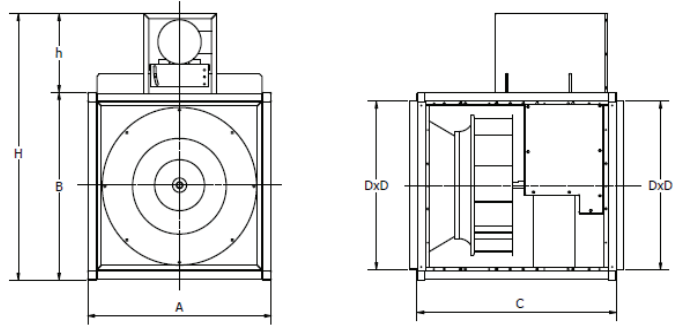
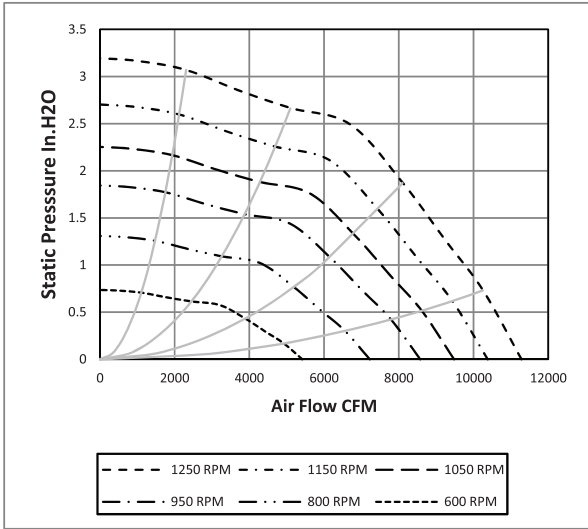
HP	RPM	0.000" Pst		0.250" Pst		0.375" Pst		0.500" Pst		0.625" Pst		1.000" Pst		1.500" Pst		2.000" Pst		2.500" Pst	
		CFM		CFM		CFM		CFM		CFM		CFM		CFM		CFM		CFM	
		BHP	Sones	BHP	Sones	BHP	Sones	BHP	Sones	BHP	Sones	BHP	Sones	BHP	Sones	BHP	Sones	BHP	Sones
2	1200	4623		4388		4271		4150		4026		3644		2923		-		-	
		1.36	25.3	1.42	24.6	1.45	24.4	1.48	24.1	1.52	23.9	1.61	23.1	1.62	22.0	-	-	-	-
3	1300	5008		4792		4683		4575		4461		4118		3605		-		-	
		1.73	28.7	1.80	28.1	1.83	27.8	1.86	27.6	1.90	27.3	2.01	26.5	2.10	25.4	-	-	-	-
	1400	5393		5192		5092		4991		4889		4571		4116		3505		-	
		2.16	32.6	2.23	31.9	2.26	31.6	2.30	31.2	2.33	30.9	2.46	30.1	2.58	28.9	2.59	27.9	-	-
4	1450	5586		5392		5295		5198		5101		4794		4356		3894		1375	
		2.40	34.4	2.47	33.8	2.51	33.4	2.54	33.1	2.58	32.8	2.70	31.9	2.85	30.7	2.94	29.7	1.91	27.7

Performance certified is for installation type A: Free Inlet, Free Outlet. Power rating (BHP) does not include transmission losses. Performance ratings include the effects of appurtenances (belt tube and bearing cover). The sound ratings shown are loudness values in fan sones at a distance of 1.5m (5ft) in a hemispherical free field calculated per AMCA International Standard 301. Values shown are for installation Type A: free outlet hemispherical sone levels.

BELT DRIVE FAN DATA

SQ- INLINE FAN SERIES

➤ SQ22B



A	B	C	D	H	h
845	845	914	745	1210	365
Damper Size - 750 x 750mm					
Fan Weight - 175kg					

All dimensions are in mm

HP	RPM	0.000" Pst		0.125" Pst		0.250" Pst		0.375" Pst		0.500" Pst		0.625" Pst		1.000" Pst		1.500" Pst		2.000" Pst	
		CFM		CFM		CFM		CFM		CFM		CFM		CFM		CFM		CFM	
		BHP	Sones	BHP	Sones	BHP	Sones	BHP	Sones	BHP	Sones	BHP	Sones	BHP	Sones	BHP	Sones	BHP	Sones
1/2	400	3612		3000		2217		-	-	-	-	-	-	-	-	-	-	-	-
		0.18	8.5	0.19	12.0	0.17	6.9	-	-	-	-	-	-	-	-	-	-	-	-
	450	4063		3546		2905		1384		-	-	-	-	-	-	-	-	-	-
		0.25	9.7	0.26	12.7	0.26	10.2	0.17	6.3	-	-	-	-	-	-	-	-	-	-
	500	4514		4077		3499		2858		-	-	-	-	-	-	-	-	-	-
		0.34	11.4	0.36	13.6	0.35	13.6	0.34	9.7	-	-	-	-	-	-	-	-	-	-
3/4	550	4966		4574		4068		3542		2794		-	-	-	-	-	-	-	
		0.45	12.9	0.47	14.7	0.47	16.9	0.46	13.2	0.43	10.2	-	-	-	-	-	-	-	
	600	5417		5058		4621		4141		3615		2488		-	-	-	-	-	
		0.59	14.6	0.61	16.0	0.61	17.8	0.61	16.4	0.59	13.5	0.48	10.6	-	-	-	-	-	
1	650	5869		5537		5161		4716		4275		3753		-	-	-	-	-	
		0.75	16.2	0.77	17.4	0.78	18.9	0.78	19.6	0.76	16.6	0.74	14.3	-	-	-	-	-	
1 1/2	700	6320		6012		5691		5276		4866		4439		-	-	-	-	-	
		0.93	17.8	0.95	18.9	0.97	20.2	0.97	21.6	0.96	19.8	0.94	17.4	-	-	-	-	-	
	750	6772		6484		6197		5825		5439		5057		2815		-	-	-	
		1.15	19.5	1.17	20.4	1.19	21.5	1.19	22.7	1.19	22.8	1.18	20.5	0.88	14.1	-	-	-	

Performance certified is for installation type A: Free Inlet, Free Outlet. Power rating (BHP) does not include transmission losses. Performance ratings include the effects of appurtenances (belt tube and bearing cover). The sound ratings shown are loudness values in fan sones at a distance of 1.5m (5ft) in a hemispherical free field calculated per AMCA International Standard 301. Values shown are for installation Type A: free outlet hemispherical sone levels.

➤ SQ22B

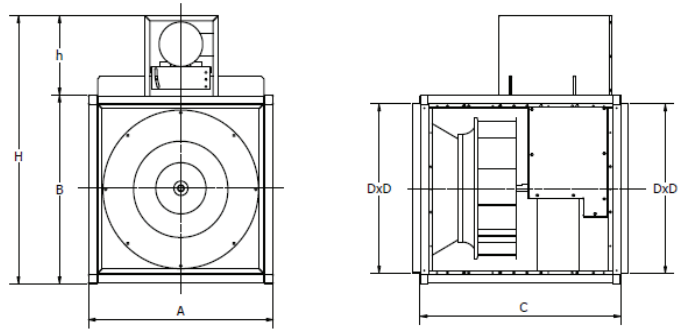
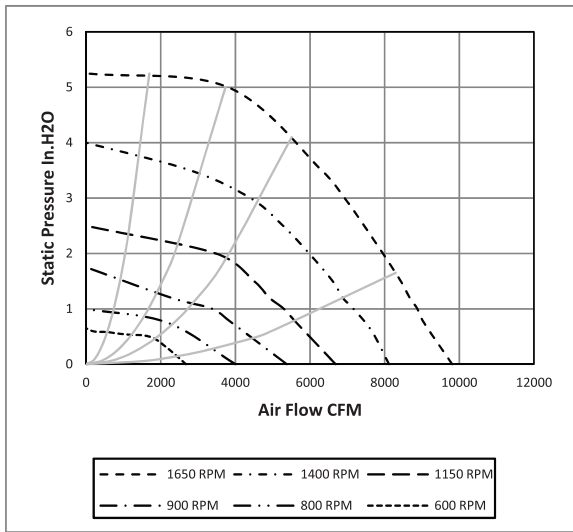
HP	RPM	0.000" Pst		0.125" Pst		0.250" Pst		0.375" Pst		0.500" Pst		0.625" Pst		1.000" Pst		1.500" Pst		2.000" Pst	
		CFM		CFM		CFM		CFM		CFM		CFM		CFM		CFM		CFM	
		BHP	Sones	BHP	Sones	BHP	Sones	BHP	Sones	BHP	Sones	BHP	Sones	BHP	Sones	BHP	Sones	BHP	Sones
2	800	7223		6954		6684		6363		6000		5641		4434		-		-	
		1.39	21.2	1.41	22.1	1.43	22.9	1.45	24.0	1.45	25.2	1.44	23.5	1.36	18.2	-	-	-	-
	850	7675		7421		7167		6893		6551		6211		5133		-		-	
		1.67	23.0	1.69	23.7	1.71	24.5	1.73	25.4	1.74	26.5	1.73	26.8	1.67	21.1	-	-	-	-
3	900	8126		7886		7647		7407		7093		6771		5810		2768		-	
		1.98	24.8	2.00	25.4	2.03	26.1	2.05	26.9	2.06	27.8	2.06	28.7	2.01	24.2	1.34	17.5	-	-
	950	8577		8350		8124		7897		7626		7321		6413		4729		-	
		2.32	26.6	2.35	27.2	2.38	27.8	2.40	28.6	2.42	29.3	2.42	30.1	2.38	27.4	2.15	21.9	-	-
4	1000	9029		8813		8598		8382		8153		7863		6998		5717		-	
		2.71	28.5	2.74	29.0	2.76	29.6	2.79	30.3	2.82	30.9	2.82	31.5	2.80	30.5	2.70	25.2	-	-
	1050	9480		9275		9070		8864		8659		8398		7571		6410		3592	
		3.13	30.4	3.16	30.9	3.19	31.5	3.22	32.0	3.25	32.5	3.26	33.1	3.26	33.5	3.15	28.2	2.27	22.5
5	1100	9932		9736		9540		9344		9148		8926		8135		7085		5589	
		3.60	32.4	3.63	32.8	3.67	33.3	3.70	33.7	3.73	34.2	3.75	34.8	3.76	36.4	3.67	31.3	3.38	26.9
	1150	10383		10196		10008		9821		9633		9446		8693		7694		6535	
		4.12	34.4	4.15	34.7	4.18	35.1	4.21	35.6	4.25	36.0	4.28	36.5	4.30	38.0	4.22	34.3	4.06	30.3
7 1/2	1200	10835		10655		10475		10296		10116		9936		9242		8283		7231	
		4.68	36.4	4.71	36.8	4.74	37.1	4.78	37.5	4.81	37.9	4.85	38.3	4.88	39.6	4.82	37.4	4.68	33.4
	1250	11286		11114		10941		10769		10596		10424		9785		8862		7911	
5.29		38.6	5.32	39.0	5.36	39.3	5.39	39.6	5.43	39.9	5.46	40.3	5.51	41.4	5.48	40.5	5.36	36.5	

Performance certified is for installation type A: Free Inlet, Free Outlet. Power rating (BHP) does not include transmission losses. Performance ratings include the effects of appurtenances (belt tube and bearing cover). The sound ratings shown are loudness values in fan sones at a distance of 1.5m (5ft) in a hemispherical free field calculated per AMCA International Standard 301. Values shown are for installation Type A: free outlet hemispherical sone levels.

BELT DRIVE FAN DATA

SQ- INLINE FAN SERIES

► SQ22BHP



A	B	C	D	H	h
845	845	914	745	1210	365
Damper Size - 750 x 750mm					
Fan Weight - 175kg					

All dimensions are in mm

HP	RPM	0.000" Pst		0.750" Pst		1.000" Pst		1.250" Pst		1.500" Pst		2.000" Pst		2.500" Pst		3.000" Pst		3.500" Pst	
		CFM		CFM		CFM		CFM		CFM		CFM		CFM		CFM		CFM	
		BHP	Sones	BHP	Sones	BHP	Sones	BHP	Sones	BHP	Sones	BHP	Sones	BHP	Sones	BHP	Sones	BHP	Sones
3/4	700	4000		2180		-		-		-		-		-		-		-	
		0.65	12	0.55	9	-	-	-	-	-	-	-	-	-	-	-	-	-	-
1	800	4950		3150		2400		-		-		-		-		-		-	
		0.90	15	0.85	11	0.80	11	-	-	-	-	-	-	-	-	-	-	-	
1 1/2	900	5375		3900		3380		2275		-		-		-		-		-	
		1.30	17	1.20	13	1.19	13	1.10	12.5	-	-	-	-	-	-	-	-	-	
2	1000	5950		4650		4220		3725		2420		-		-		-		-	
		1.75	18	1.60	15	1.60	15	1.45	15	1.30	15	-	-	-	-	-	-	-	
3	1150	6685		5635		5300		4910		4500		3475		-		-		-	
		2.65	21	2.40	18	2.38	18	2.41	18	2.38	18	2.30	19	-	-	-	-	-	
4	1250	7325		6400		6100		5775		5450		4650		3625		-		-	
		3.55	24	3.10	20	3.20	20	3.15	20	3.30	20	3.40	21	3.12	21	-	-	-	
5	1400	8115		7750		7160		6875		6605		5975		5275		4400		2790	
		4.95	26	4.80	23	4.85	25	5.00	25	5.03	25	5.10	25	5.10	25	5.10	26	5.10	26
7 1/2	1550	8465		8235		8000		7750		7500		6950		6380		5710		4960	
		6.60	28	5.30	26	5.30	26	5.70	27	5.78	27	5.90	27	5.95	28	6.00	28	5.90	28

Performance is for installation type A: Free Inlet, Free Outlet. Power rating (BHP) does not include transmission losses. Performance ratings include the effects of appurtenances (belt tube and bearing cover). The sound ratings shown are loudness values in fan sones at a distance of 1.5m (5ft) in a hemispherical free field calculated per AMCA International Standard 301. Values shown are for installation Type A: free outlet hemispherical sone levels. Model SQ22BHP is not licensed to bear the AMCA Certified Rating Seal.

► SQ22BHP

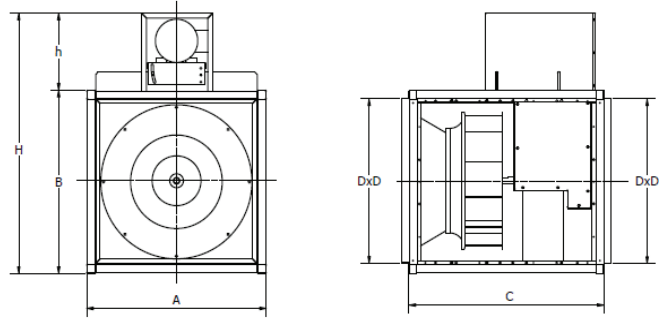
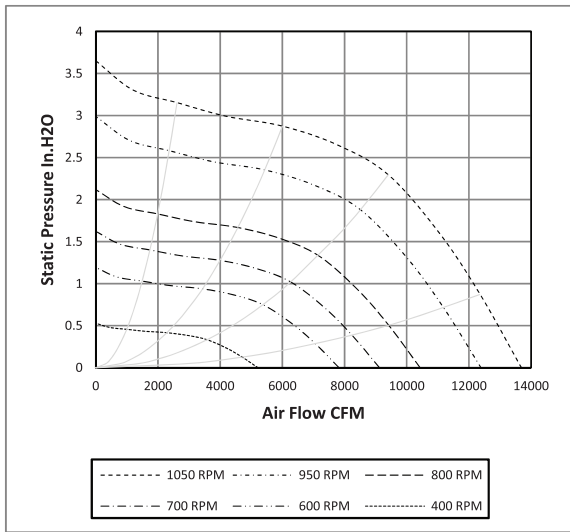
HP	RPM	0.000" Pst		0.750" Pst		1.000" Pst		1.250" Pst		1.500" Pst		2.000" Pst		2.500" Pst		3.000" Pst		3.500" Pst	
		CFM		CFM		CFM		CFM		CFM		CFM		CFM		CFM		CFM	
		BHP	Sones	BHP	Sones	BHP	Sones	BHP	Sones	BHP	Sones	BHP	Sones	BHP	Sones	BHP	Sones	BHP	Sones
7 1/2	1600	9350		8750		8500		8325		8050		7605		7050		6500		5855	
		7.30	32	6.50	29	6.60	29	6.7	29	6.80	29	6.90	29	7.10	30	7.00	30	7.10	30
10	1650	9810		9050		8875		8670		8430		7950		7450		6925		6310	
		8.20	33	7.00	30	7.20	30	7.3	30	7.40	30	7.60	30	7.50	31	7.40	31	7.20	31

Performance is for installation type A: Free Inlet, Free Outlet. Power rating (BHP) does not include transmission losses. Performance ratings include the effects of appurtenances (belt tube and bearing cover). The sound ratings shown are loudness values in fan sones at a distance of 1.5m (5ft) in a hemispherical free field calculated per AMCA International Standard 301. Values shown are for installation Type A: free outlet hemispherical sone levels. Model SQ22BHP is not licensed to bear the AMCA Certified Rating Seal.

BELT DRIVE FAN DATA

SQ- INLINE FAN SERIES

➤ SQ27B



A	B	C	D	H	h
1029	1029	1118	929	1549	520
Damper Size - 935 x 935mm					
Fan Weight - 190kg					

All dimensions are in mm

HP	RPM	0.000" Pst		0.250" Pst		0.375" Pst		0.500" Pst		0.625" Pst		1.000" Pst		1.500" Pst		2.000" Pst		2.500" Pst	
		CFM		CFM		CFM		CFM		CFM		CFM		CFM		CFM		CFM	
		BHP	Sones	BHP	Sones	BHP	Sones	BHP	Sones	BHP	Sones	BHP	Sones	BHP	Sones	BHP	Sones	BHP	Sones
1/2	400	5216		4133		3169		-		-		-		-		-		-	
		0.34	7.4	0.40	6.3	0.38	6.3	-	-	-	-	-	-	-	-	-	-	-	-
3/4	450	5868		4943		4332		3276		-		-		-		-		-	
		0.48	8.9	0.55	7.9	0.57	7.4	0.53	7.7	-	-	-	-	-	-	-	-	-	-
1	500	6520		5709		5242		4633		3514		-		-		-		-	
		0.66	10.5	0.74	9.5	0.77	9.0	0.78	8.5	0.72	9.1	-	-	-	-	-	-	-	-
1 1/2	550	7171		6457		6036		5562		5007		-		-		-		-	
		0.88	12.2	0.97	11.2	1.00	10.7	1.03	10.2	1.03	9.8	-	-	-	-	-	-	-	-
	600	7823		7171		6805		6420		5945		-		-		-		-	
		1.14	13.9	1.24	13.0	1.28	12.5	1.32	12.0	1.33	11.6	-	-	-	-	-	-	-	-
2	650	8475		7873		7557		7201		6846		5079		-		-		-	
		1.44	15.7	1.56	15.3	1.61	14.4	1.65	13.9	1.69	13.5	1.63	13.3	-	-	-	-	-	-
3	700	9127		8568		8288		7966		7636		6416		-		-		-	
		1.80	17.7	1.92	17.2	1.98	16.3	2.03	15.9	2.07	15.4	2.12	14.2	-	-	-	-	-	-
4	750	9779		9257		8996		8718		8410		7356		-		-		-	
		2.22	19.6	2.34	19.2	2.41	18.3	2.47	17.9	2.51	17.5	2.60	16.3	-	-	-	-	-	-

Performance certified is for installation type A: Free Inlet, Free Outlet. Power rating (BHP) does not include transmission losses. Performance ratings include the effects of appurtenances (belt tube and bearing cover). The sound ratings shown are loudness values in fan sones at a distance of 1.5m (5ft) in a hemispherical free field calculated per AMCA International Standard 301. Values shown are for installation Type A: free outlet hemispherical sone levels.

➤ SQ27B

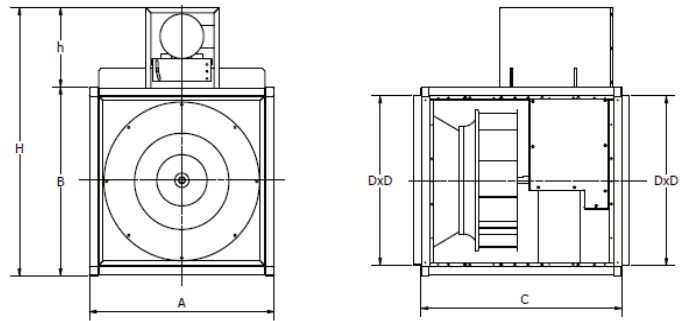
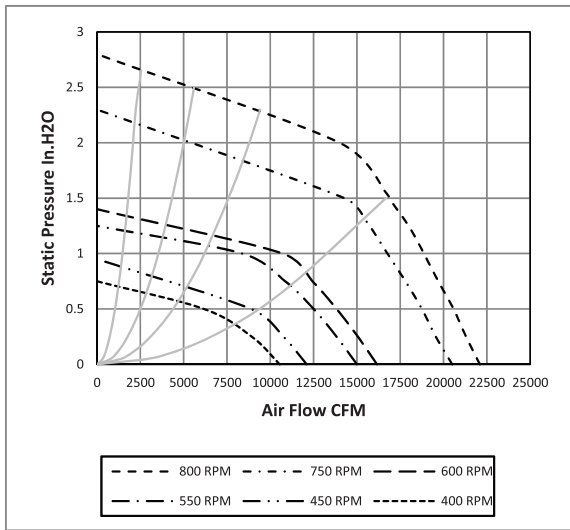
HP	RPM	0.000" Pst		0.250" Pst		0.375" Pst		0.500" Pst		0.625" Pst		1.000" Pst		1.500" Pst		2.000" Pst		2.500" Pst	
		CFM		CFM		CFM		CFM		CFM		CFM		CFM		CFM		CFM	
		BHP	Sones	BHP	Sones	BHP	Sones	BHP	Sones	BHP	Sones	BHP	Sones	BHP	Sones	BHP	Sones	BHP	Sones
4	800	10431		9942		9697		9452		9169		8266		6339		-		-	
		2.69	21.6	2.82	20.8	2.89	20.4	2.96	20.0	3.02	19.6	3.15	18.4	3.05	18.4	-	-	-	-
5	850	11083		10623		10392		10162		9918		9102		7718		-		-	
		3.22	23.6	3.37	22.8	3.44	22.4	3.51	22.0	3.58	21.7	3.74	20.7	3.79	19.4	-	-	-	-
	900	11735		11300		11083		10865		10647		9886		8664		6552		-	
		3.82	25.7	3.98	24.9	4.06	24.6	4.13	24.3	4.21	24.0	4.38	22.9	4.49	21.7	4.22	22.9	-	-
7 1/2	950	12387		11975		11769		11563		11357		10658		9585		8103		-	
		4.50	27.9	4.66	27.2	4.74	26.9	4.82	26.6	4.91	26.2	5.10	25.3	5.27	24.0	5.22	23.5	-	-
	1000	13039		12647		12452		12256		12060		11418		10485		9266		7029	
		5.24	30.3	5.42	29.7	5.50	29.3	5.59	29.0	5.67	28.7	5.90	27.7	6.14	26.4	6.17	25.2	5.70	27.5
	1050	13691		13318		13132		12945		12759		12170		11289		10205		8499	
		6.07	32.8	6.25	32.1	6.34	31.8	6.43	31.5	6.52	31.2	6.77	30.2	7.03	28.9	7.13	27.6	7.00	27.9

Performance certified is for installation type A: Free Inlet, Free Outlet. Power rating (BHP) does not include transmission losses. Performance ratings include the effects of appurtenances (belt tube and bearing cover). The sound ratings shown are loudness values in fan sones at a distance of 1.5m (5ft) in a hemispherical free field calculated per AMCA International Standard 301. Values shown are for installation Type A: free outlet hemispherical sone levels.

BELT DRIVE FAN DATA

SQ- INLINE FAN SERIES

➤ SQ34B



A	B	C	D	H	h
1255	1255	1220	1180	1775	520
Damper Size - 1185 x 1185mm					
Fan Weight - 202kg					

All dimensions are in mm

HP	RPM	0.000" Pst		0.250" Pst		0.500" Pst		0.750" Pst		1.000" Pst		1.250" Pst		1.500" Pst		2.000" Pst		2.250" Pst	
		CFM		CFM		CFM		CFM		CFM		CFM		CFM		CFM		CFM	
		BHP	Sones	BHP	Sones	BHP	Sones	BHP	Sones	BHP	Sones	BHP	Sones	BHP	Sones	BHP	Sones	BHP	Sones
1	300	4825		5910		-		-		-		-		-		-		-	
		0.45	7	0.55	6	-	-	-	-	-	-	-	-	-	-	-	-	-	-
1 1/2	400	11550		8930		6170		-		-		-		-		-		-	
		1.30	11	1.00	9	1.10	9	-	-	-	-	-	-	-	-	-	-	-	
2	450	12100		10750		8875		-		-		-		-		-		-	
		1.75	16	1.50	12	1.60	12	-	-	-	-	-	-	-	-	-	-	-	
3	500	13100		12450		10910		8420		-		-		-		-		-	
		2.30	17	1.90	16	2.10	16	2.20	15	-	-	-	-	-	-	-	-		
	550	15200		13825		12500		10860		8375		-		-		-		-	
		2.68	21	2.60	20	2.75	18	2.90	16	2.51	16	-	-	-	-	-	-		
4	600	17455		15050		13825		12430		10710		-		-		-		-	
		3.69	22	3.20	21	3.40	20	3.60	18	3.70	18	-	-	-	-	-	-		
5	650	18253		16500		15450		12465		12810		11050		-		-		-	
		4.58	28	4.00	26	4.20	24	4.50	22	4.70	22	4.60	20	-	-	-	-		
7 1/2	700	21325		18400		17510		16450		15300		13995		12425		-		-	
		6.10	30	5.30	28	5.60	26	5.90	26	6.00	26	6.20	23	6.30	22	-	-		

Performance is for installation type A: Free Inlet, Free Outlet. Power rating (BHP) does not include transmission losses. Performance ratings include the effects of appurtenances (belt tube and bearing cover). The sound ratings shown are loudness values in fan sones at a distance of 1.5m (5ft) in a hemispherical free field calculated per AMCA International Standard 301. Values shown are for installation Type A: free outlet hemispherical sone levels. Model SQ34B is not licensed to bear the AMCA Certified Rating Seal.

➤ SQ34B

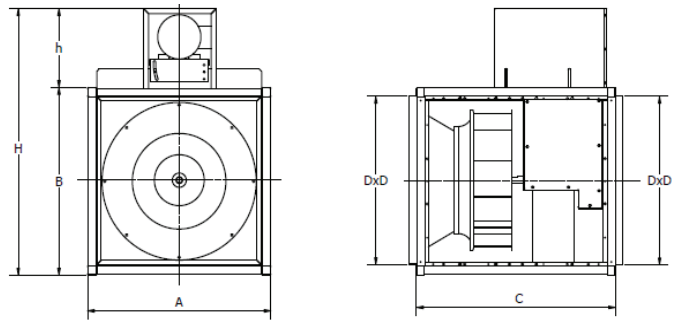
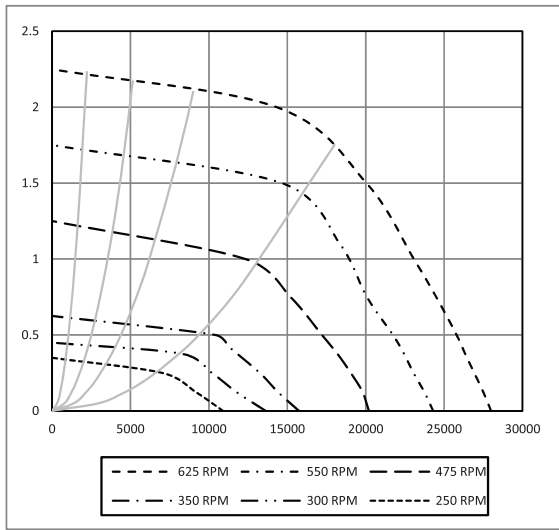
HP	RPM	0.000" Pst		0.250" Pst		0.500" Pst		0.750" Pst		1.000" Pst		1.250" Pst		1.500" Pst		2.000" Pst		2.250" Pst	
		CFM		CFM		CFM		CFM		CFM		CFM		CFM		CFM		CFM	
		BHP	Sones	BHP	Sones	BHP	Sones	BHP	Sones	BHP	Sones	BHP	Sones	BHP	Sones	BHP	Sones	BHP	Sones
10	750	21212		19550		18750		17800		16760		15500		14285		-		-	
		8.50	33	6.20	30	6.50	30	6.80	29	7.00	28	7.25	25	7.50	24	-	-	-	-
	800	23463		21300		20580		19700		18180		170850		16675		14000		-	
		9.50	38	7.80	36	8.10	36	8.40	34	8.70	33	9.30	33	9.50	31	9.40	27	-	-

Performance is for installation type A: Free Inlet, Free Outlet. Power rating (BHP) does not include transmission losses. Performance ratings include the effects of appurtenances (belt tube and bearing cover). The sound ratings shown are loudness values in fan sones at a distance of 1.5m (5ft) in a hemispherical free field calculated per AMCA International Standard 301. Values shown are for installation Type A: free outlet hemispherical sone levels. Model SQ34B is not licensed to bear the AMCA Certified Rating Seal.

BELT DRIVE FAN DATA

SQ- INLINE FAN SERIES

► SQ42B



A	B	C	D	H	h
1525	1525	1120	1450	2045	520
Damper Size - 1455 x 1455mm					
Fan Weight - 275kg					

All dimensions are in mm

HP	RPM	0.000" Pst		0.125" Pst		0.250" Pst		0.375" Pst		0.500" Pst		0.750" Pst		1.000" Pst		1.500" Pst		2.000" Pst	
		CFM		CFM		CFM		CFM		CFM		CFM		CFM		CFM		CFM	
		BHP	Sones	BHP	Sones	BHP	Sones	BHP	Sones	BHP	Sones	BHP	Sones	BHP	Sones	BHP	Sones	BHP	Sones
1	250	11600		9150		7090		-	-	-	-	-	-	-	-	-	-	-	-
		0.80	6.5	0.50	5	0.60	5	-	-	-	-	-	-	-	-	-	-	-	-
1	275	13000		10630		8900		5625		-	-	-	-	-	-	-	-	-	-
		0.90	7	0.71	6	0.80	6	0.75	6	-	-	-	-	-	-	-	-	-	-
1 1/2	300	14125		11750		10200		8340		-	-	-	-	-	-	-	-	-	-
		1.30	9.5	0.90	7	1.00	7	1.1	7	-	-	-	-	-	-	-	-	-	-
2	350	16050		14400		13250		11900		10410		-	-	-	-	-	-	-	-
		1.65	11	1.50	10	1.50	9	1.51	8	1.6	8	-	-	-	-	-	-	-	-
3	375	17350		15400		14350		13100		11800		-	-	-	-	-	-	-	-
		2.40	12.5	1.60	10	1.70	10	1.80	10	1.90	10	-	-	-	-	-	-	-	-
4	450	20750		18890		18050		17150		16125		13975		9600		-	-	-	-
		3.55	16	3.00	15	3.00	16	3.20	16	3.40	16	3.70	15	3.50	15	-	-	-	-
5	475	21624		19800		19050		18200		17210		15200		12325		-	-	-	-
		4.20	20.5	3.60	18	3.90	18	4.10	18	4.20	18	4.60	17	4.80	16	-	-	-	-
7 1/2	500	22375		21510		20820		20100		19200		17380		15400		-	-	-	-
		5.50	23	4.00	20	4.20	20	4.40	19	4.60	19	5.00	18	5.30	17	-	-	-	-

Performance is for installation type A: Free Inlet, Free Outlet. Power rating (BHP) does not include transmission losses. Performance ratings include the effects of appurtenances (belt tube and bearing cover). The sound ratings shown are loudness values in fan sones at a distance of 1.5m (5ft) in a hemispherical free field calculated per AMCA International Standard 301. Values shown are for installation Type A: free outlet hemispherical sone levels. Model SQ42B is not licensed to bear the AMCA Certified Rating Seal.

➤ SQ42B

HP	RPM	0.000" Pst		0.150" Pst		0.250" Pst		0.375" Pst		0.500" Pst		0.750" Pst		1.000" Pst		1.500" Pst		2.000" Pst	
		CFM		CFM		CFM		CFM		CFM		CFM		CFM		CFM		CFM	
		BHP	Sones	BHP	Sones	BHP	Sones	BHP	Sones	BHP	Sones	BHP	Sones	BHP	Sones	BHP	Sones	BHP	Sones
7 1/2	550	25175		23740		23050		22450		21740		20075		18350		12700		-	
		5.40	25	5.20	22	5.50	22	6.10	23	5.90	22	6.30	22	6.70	20	6.80	18	-	-
10	600	27325		26025		25425		24850		22800		21275		17890		14640		-	
		8.80	31	6.70	28	7.00	27	7.30	27	7.50	26	8.00	26	9.20	20	8.80	20	-	-
	625	28000		27500		26925		26350		25800		24500		23075		20050		14325	
		9.20	32.5	8.00	30	8.10	29	8.40	29	8.70	29	9.20	28	9.70	28	10.50	23	10.00	23

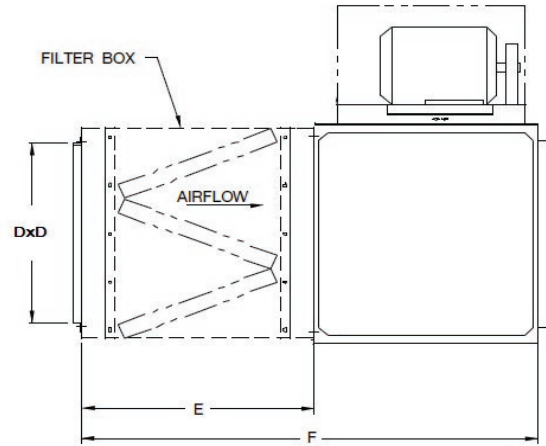
Performance is for installation type A: Free Inlet, Free Outlet. Power rating (BHP) does not include transmission losses. Performance ratings include the effects of appurtenances (belt tube and bearing cover). The sound ratings shown are loudness values in fan sones at a distance of 1.5m (5ft) in a hemispherical free field calculated per AMCA International Standard 301. Values shown are for installation Type A: free outlet hemispherical sone levels. Model SQ42B is not licensed to bear the AMCA Certified Rating Seal.

FILTER BOX DIMENSIONAL DATA

SQ- INLINE FAN SERIES

FILTER BOX DIMENSIONS

MODEL	E	F	D	Weight KG
FB-SQ10B	675	1285	346	52
FB-SQ12B	800	1486	495	67
FB-SQ13B	800	1486	495	67
FB-SQ15B	815	1653	651	82
FB-SQ16B	815	1653	651	95
FB-SQ20B	815	1653	651	131
FB-SQ22B	840	1754	745	180
FB-SQ27B	840	1960	929	258
FB-SQ34B	864	1984	1180	386
FB-SQ42B	915	2035	1450	522



► **Notes:** All dimensions are in mm unless otherwise noted.

FILTER PRESSURE DROP

Type	Aluminum Washable Filter		Disposable Filter	
Thickness Inches	1"	2"	1"	2"
Pressure Drop In. WG	0.015	0.025	0.2	0.3

MOTOR WEIGHT

HP	1/4	1/3	1/2	3/4	1	1 1/2	2	3	4	5	7 1/2	10
KG	9.5	9.5	12.5	12.5	19	25	27	38	43	45	57	68

TYPICAL SPECIFICATION

Fans shall be Model SQ Backward Inclined, as manufactured by Energy Twin City.

PERFORMANCE

Fans shall be certified in accordance with AMCA Publication 211 and AMCA Publication 311 test codes for air moving devices and shall be guaranteed by the manufacturer to deliver rated published performance levels. SQ fans shall be licensed to bear the AMCA certified ratings seal for both sound and air performance.

HOUSING

Unit exterior shall be constructed of heavy gauge galvanized steel. The fan housing shall be square in shape and readily attachable to building ductwork. Unit side panels shall be removable for easy access for maintenance and service. The power assembly shall be removable as a complete module through the side access panel. Fan housings shall have universal mounting brackets to accommodate horizontal or vertical installations

IMPELLERS

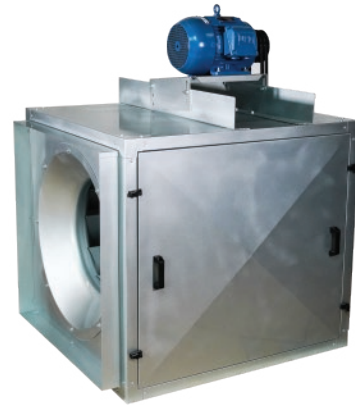
SQ backward inclined impellers shall be single thickness plate type designed for maximum efficiency and quiet operation and shall be of the non-overloading type. Sizes 09 through 42 shall be constructed of aluminum, with blades welded to the spun impeller front plate and back plate.

SHAFT

Shafts shall be AISI 1045 hot rolled steel, accurately turned, ground, polished, and ring gauged for accuracy. Shafts shall be sized for the first critical speed of at least 1.25 times the maximum speed.

BEARINGS

Bearings shall be heavy - duty, grease lubricated, anti-friction ball, self-aligning, pillow block type and selected for a minimum average bearing life (AFBMA L-50) in excess of 200,000 hours at the maximum fan RPM.



DRIVE

Motor sheaves shall be cast iron, and supplied as either variable pitch or fixed pitch. Drives and belts shall be rated for a minimum of 150% of the required motor HP.

ACCESSORIES

When specified, accessories such as access doors, variable inlet vanes, outlet shutters, inlet screens, etc., shall be provided by Energy Twin City maintain one source responsibility.

FACTORY RUN TEST

All fans prior to shipment shall be completely assembled and test run as a unit at operating speed or maximum RPM allowed for the particular construction type. Each wheel shall be statically and dynamically balanced in accordance with ANSI/AMCA 204-20 / ISO1940 "Balance Quality and Vibration Levels for Fans" to Fan Application Category BV-3, Balance Quality Grade G6.3. Balance readings shall be taken by electronic type equipment in the axial, vertical and horizontal directions on each of the bearings. Records shall be maintained and a written copy shall be available upon request.

WARANTEE

The manufacturer shall guarantee the workmanship and materials for its SQ Series models for at least one (1) year from startup or eighteen (18) months from shipment, whichever occurs first.

**THE RECOGNIZED LEADER IN
MANUFACTURING & DISTRIBUTION
OF HVAC & INDUSTRIAL PRODUCTS
IN THE MIDDLE EAST.**



MIDDLE EAST

PO Box 24021, Sharjah Industrial Area
United Arab Emirates
Phone: 971.6534.3488 | Fax: 971.6534.3710
energyintl.com

UNITED STATES

5959 Trenton Lane, Minneapolis, MN 55442
Phone: 763.551.7600 | Fax: 763.551.7601
careers.tcf.com